



Installation instructions, accessories

Volvo Car Corporation Gothenburg, Sweden

Instruction No	Version	Part. No.
31408246	1.0	31373081

Parking assistance, front



Installation instructions, accessories

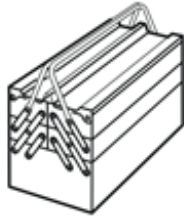
Volvo Car Corporation Gothenburg, Sweden

Materials

Designation	Part number
Electrical tape	

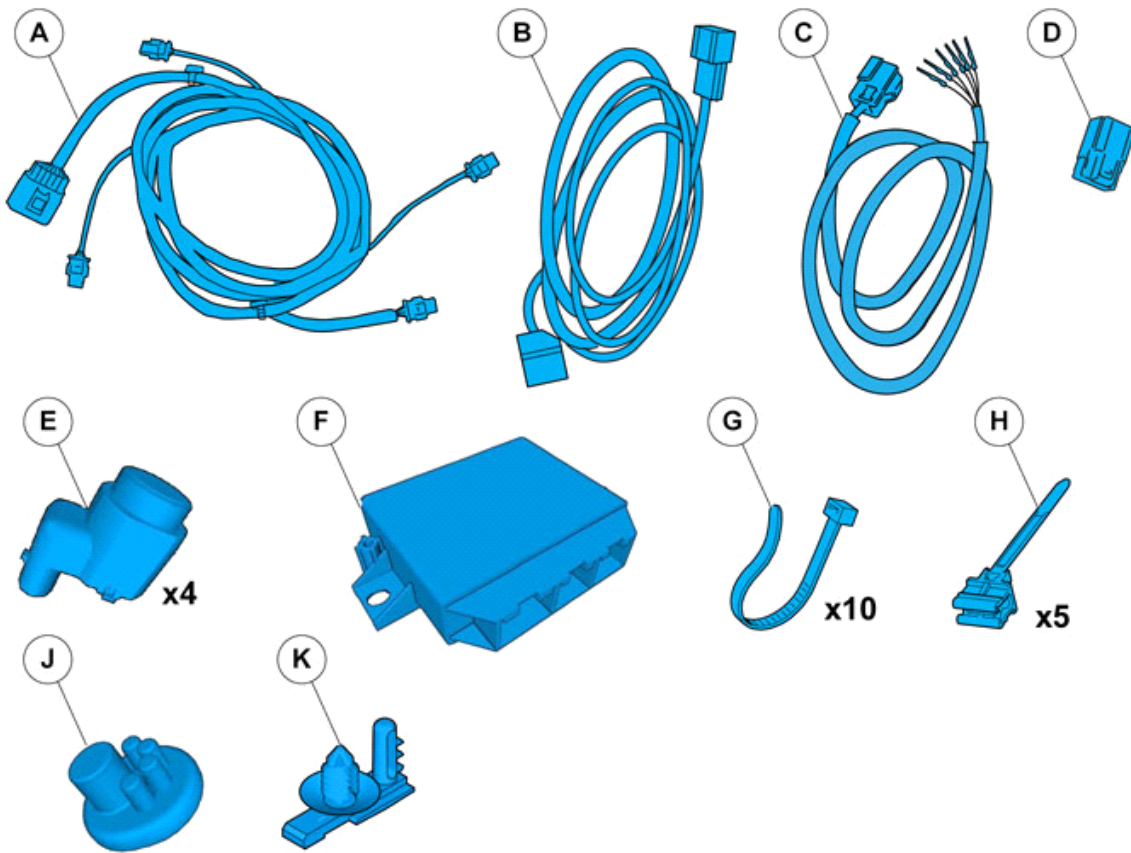
Equipment

VIDA



IMG-242205

A0000162

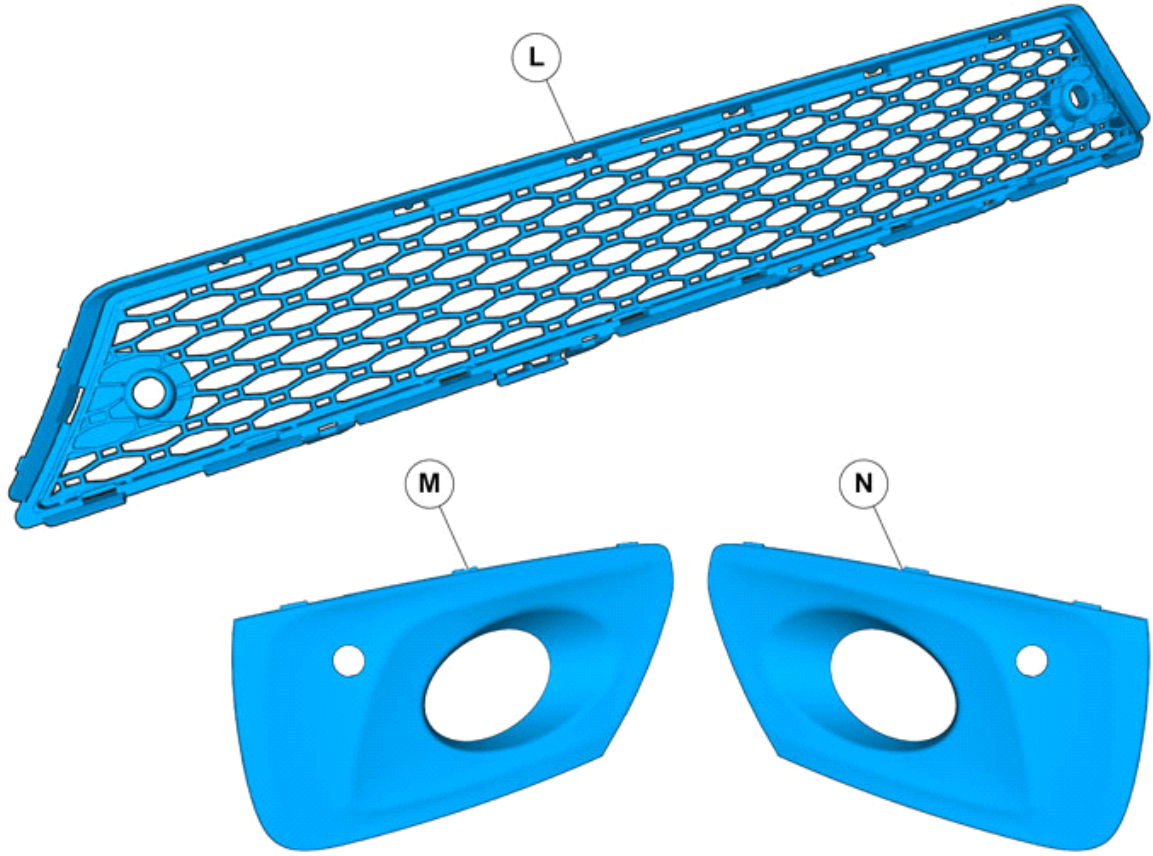


IMG-379943



Installation instructions, accessories

Volvo Car Corporation Gothenburg, Sweden



IMG-379028



Installation instructions, accessories

Volvo Car Corporation Gothenburg, Sweden

Information

1

Read through all of the instructions before starting installation.

Notifications and warning texts are for your safety and to minimise the risk of something breaking during installation.

Ensure that all tools stated in the instructions are available before starting installation.

Certain steps in the instructions are only presented in the form of images. Explanatory text is also given for more complicated steps.

In the event of any problems with the instructions or the accessory, contact your local Volvo dealer.

Further information

2

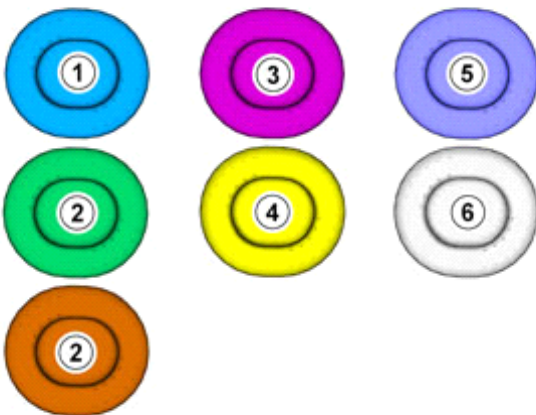
These installation instructions show installation on left hand drive cars.

When installing on right-hand drive cars, perform the procedures on the opposite side and/or mirrored.

Where the procedure differs, the right-hand version is also shown with text and image.

Color symbols

3



IMG-363036

Note!

This colour chart displays (in colour print and electronic version) the importance of the different colours used in the images of the method steps.

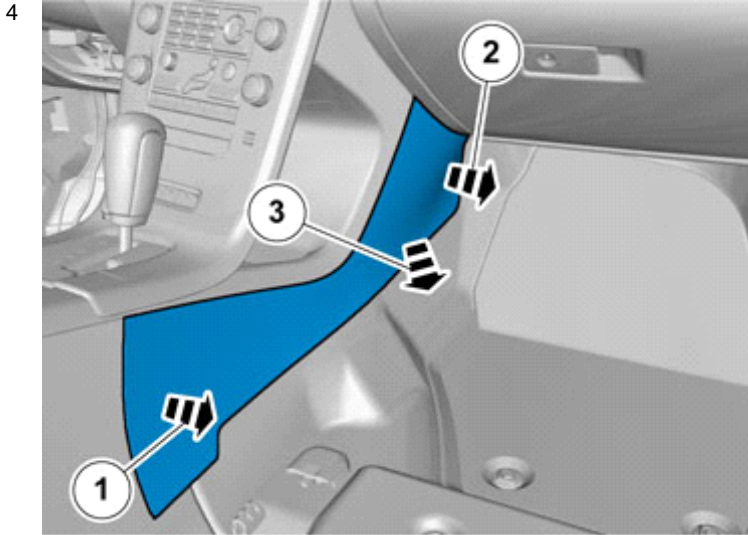
1. Used for focused component, the component with which you will do something.
2. Used as extra colors when you need to show or differentiate additional parts.
3. Used for attachments that are to be removed/installed. May be screws, clips, connectors, etc.
4. Used when the component is not fully removed from the vehicle but only hung to the side.
5. Used for standard tools and special tools.
6. Used as background color for vehicle components.



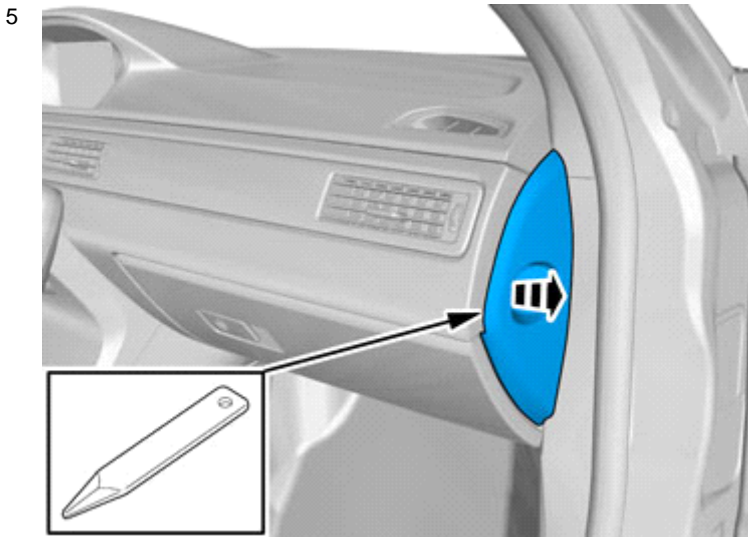
Installation instructions, accessories

Volvo Car Corporation Gothenburg, Sweden

Removal



IMG-292826



Remove the panel.

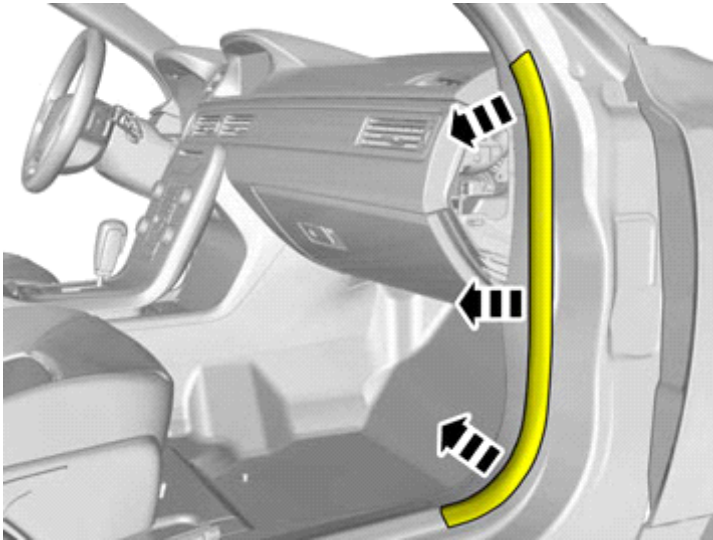
IMG-354313



Installation instructions, accessories

Volvo Car Corporation Gothenburg, Sweden

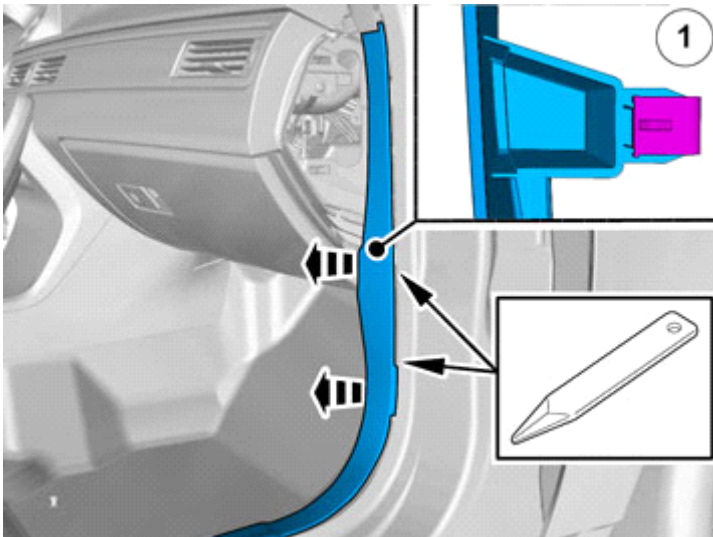
6



IMG-354315

Remove the weatherstrip.

7

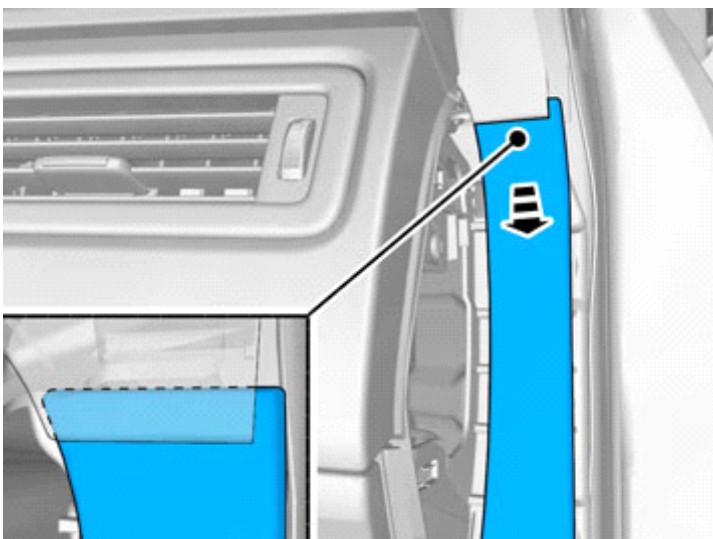


IMG-354318

Caution!

The front and upper sill panel must be removed and installed as one unit.

8



IMG-354319

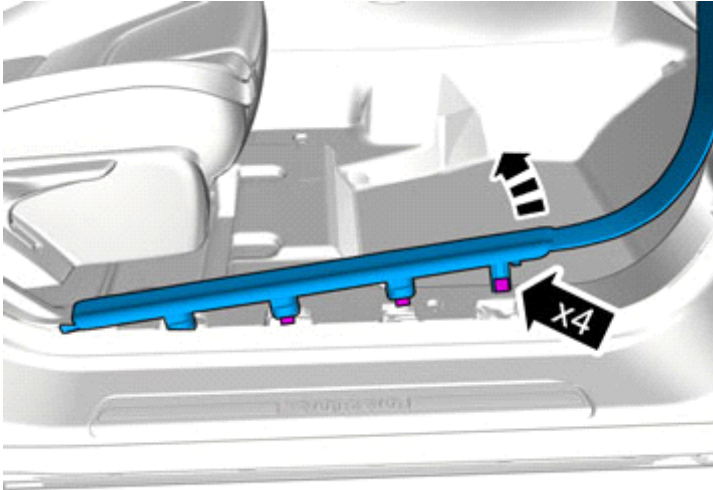
Detach the panel.



Installation instructions, accessories

Volvo Car Corporation Gothenburg, Sweden

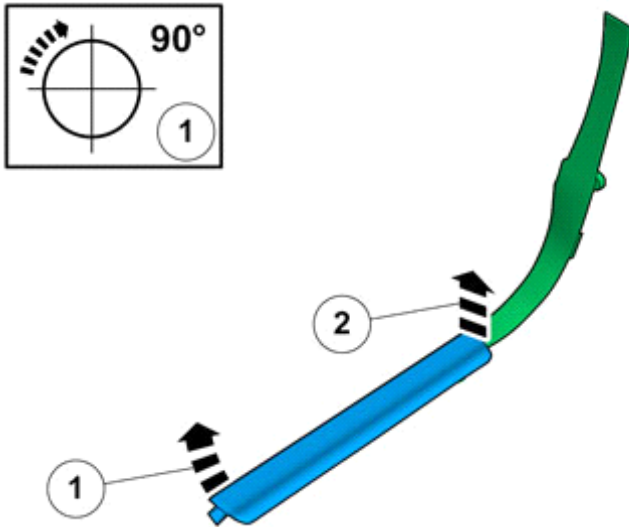
9



Remove the panel.

IMG-344930

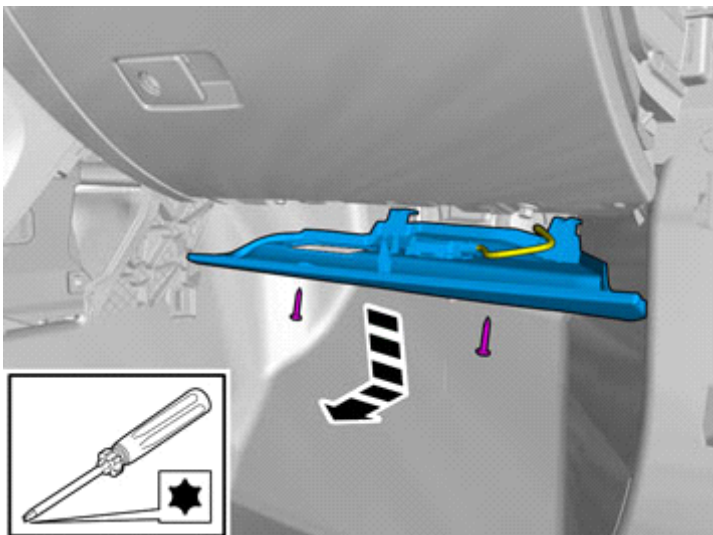
10



Remove the panel.

IMG-354320

11



Remove the screws.

Detach the panel.

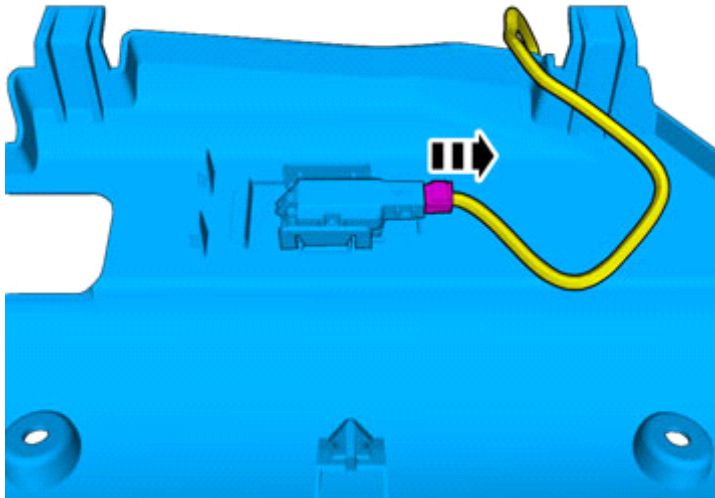
IMG-355521



Installation instructions, accessories

Volvo Car Corporation Gothenburg, Sweden

12

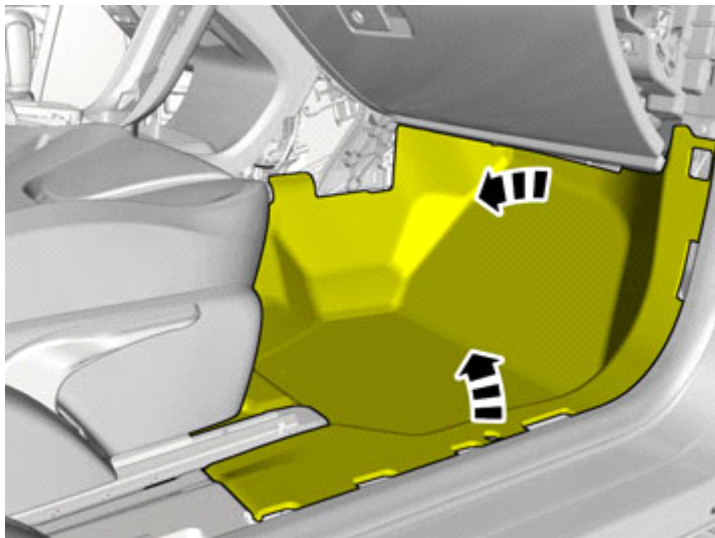


IMG-355519

Disconnect the connector.

Remove the panel.

13



IMG-352187

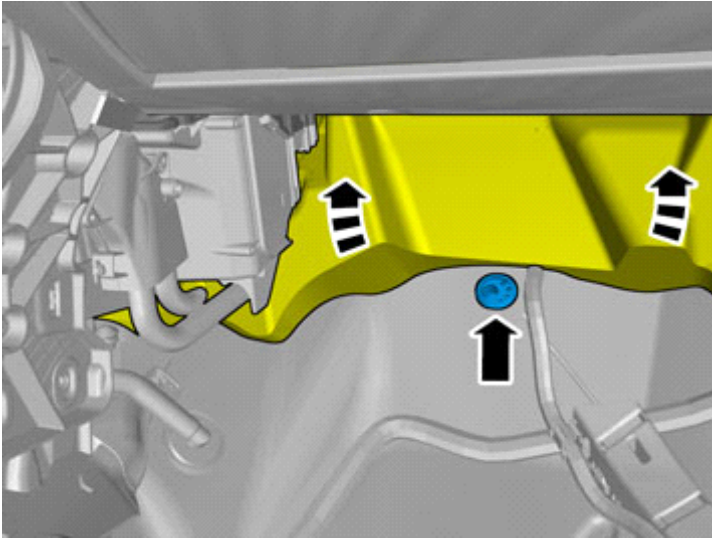
Fold the carpet to the side.



Installation instructions, accessories

Volvo Car Corporation Gothenburg, Sweden

14

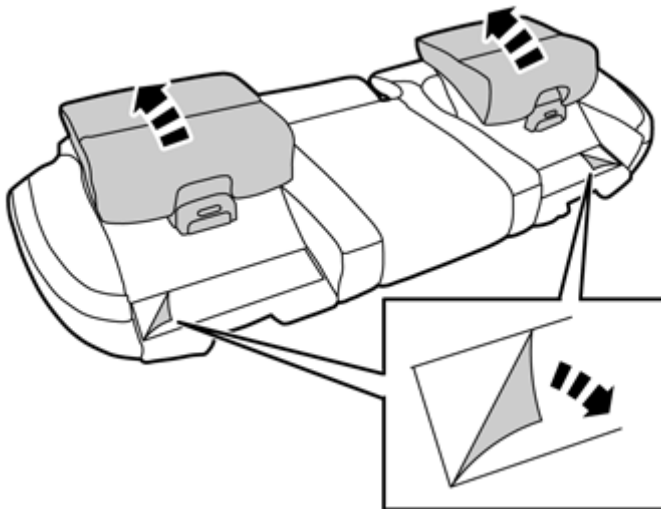


IMG-353339

Locate the rubber grommet under the insulation and press it out.

Vehicles with integrated child safety seat

15



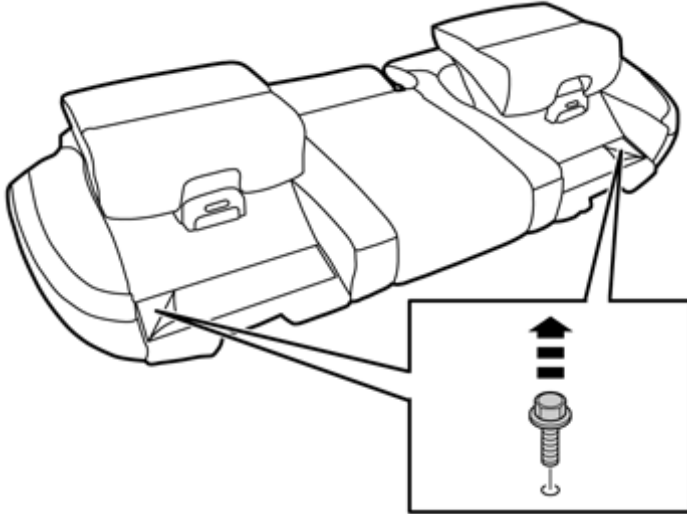
IMG-319024



Installation instructions, accessories

Volvo Car Corporation Gothenburg, Sweden

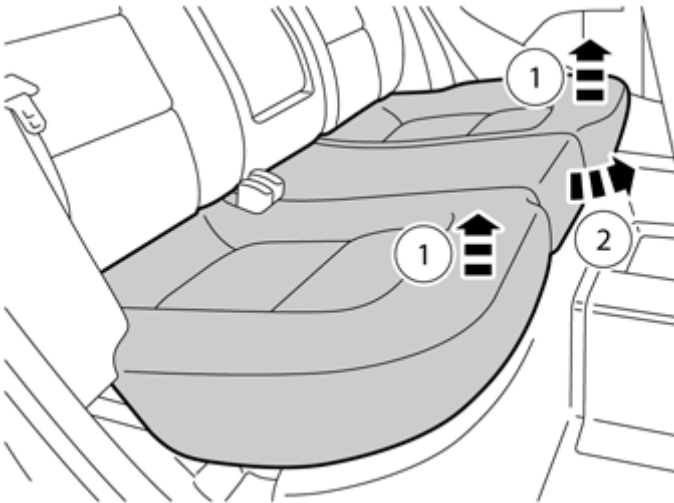
16



IMG-319025

All vehicles

17



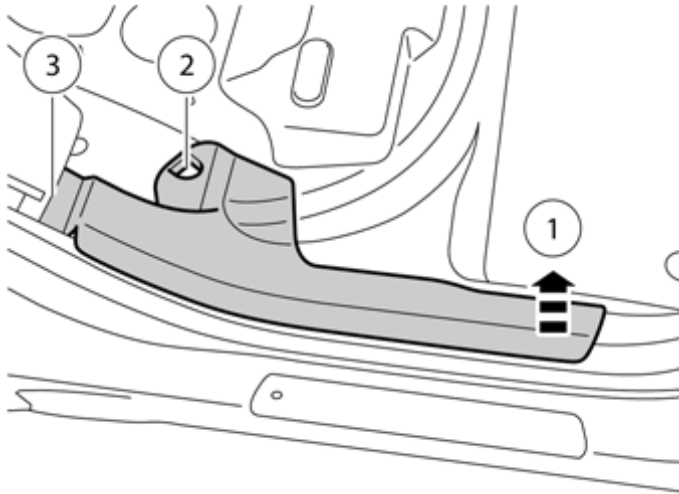
IMG-249173



Installation instructions, accessories

Volvo Car Corporation Gothenburg, Sweden

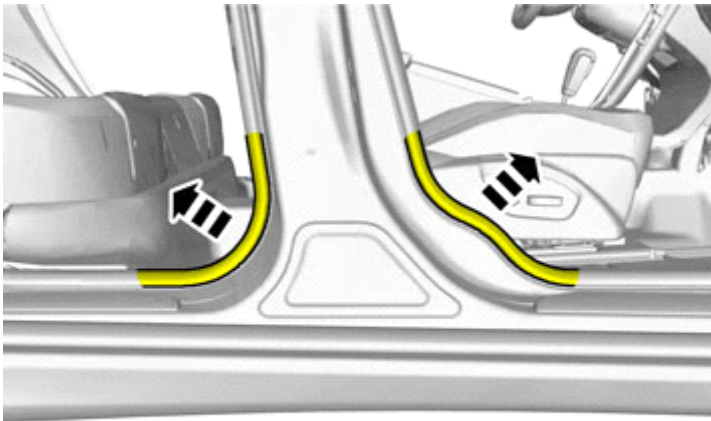
18



Remove the panel.

IMG-249174

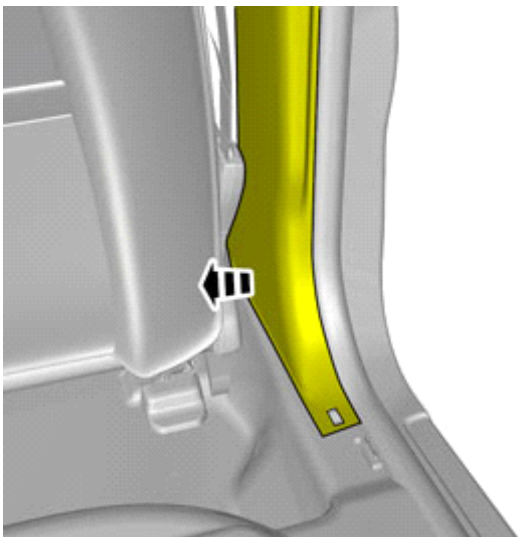
19



Remove the weatherstrips.

IMG-307605

20



Detach the panel.

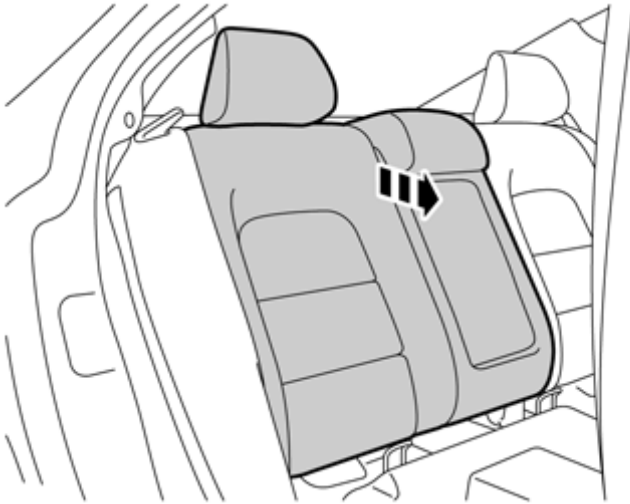
IMG-378526



Installation instructions, accessories

Volvo Car Corporation Gothenburg, Sweden

21



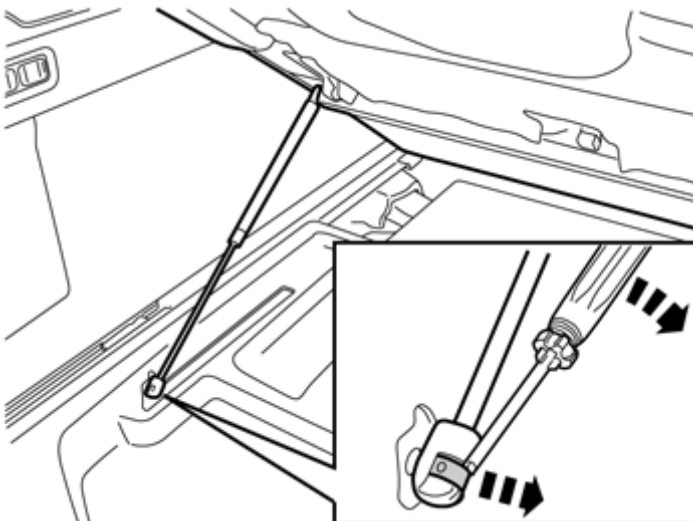
IMG-249176

22



IMG-273525

23



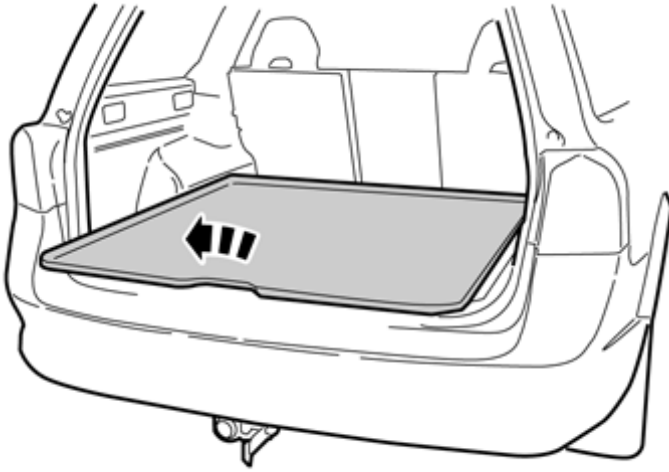
IMG-273526



Installation instructions, accessories

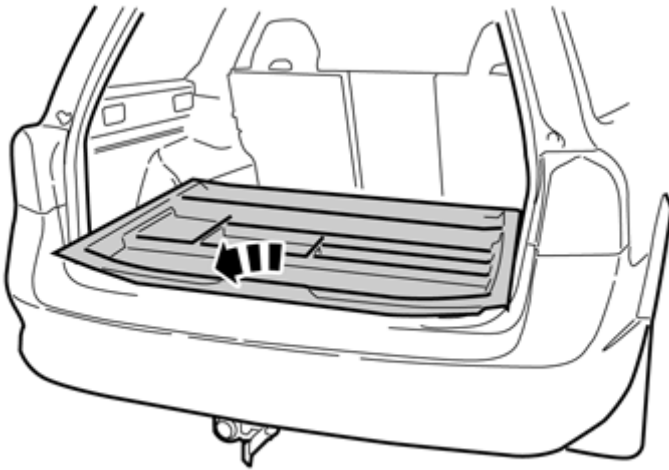
Volvo Car Corporation Gothenburg, Sweden

24



IMG-268004

25



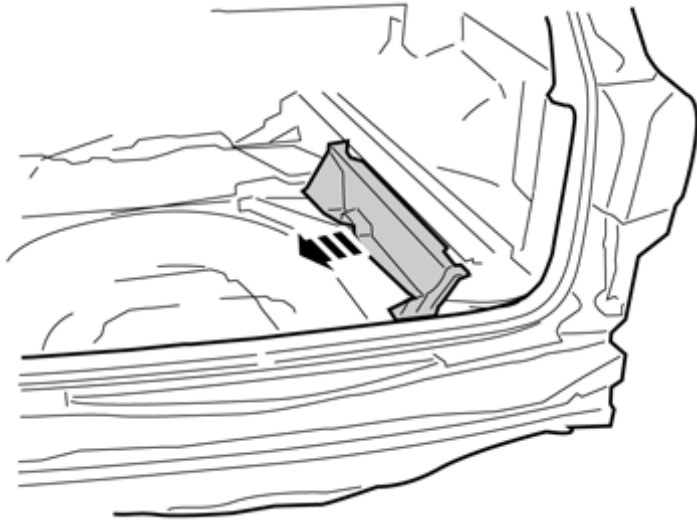
IMG-268005



Installation instructions, accessories

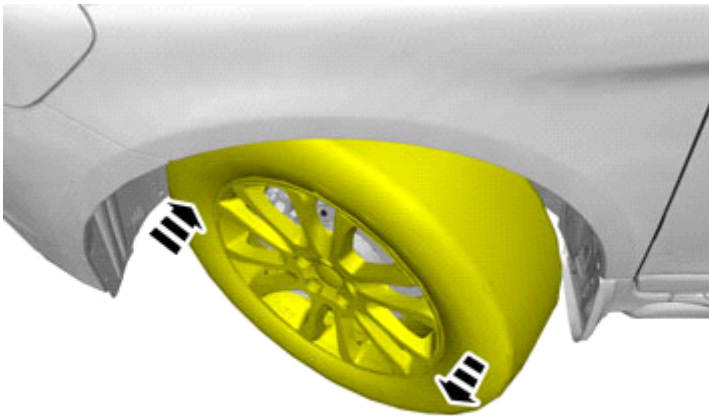
Volvo Car Corporation Gothenburg, Sweden

26



IMG-273316

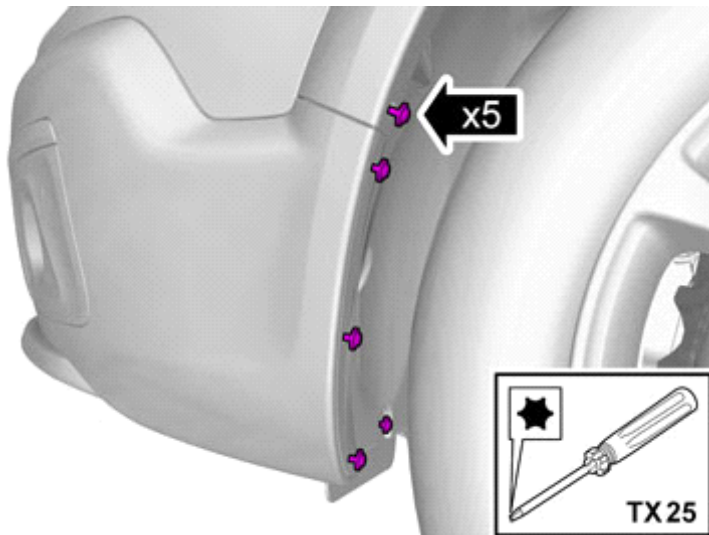
27



Turn the wheel inwards.

IMG-307623

28



IMG-379973

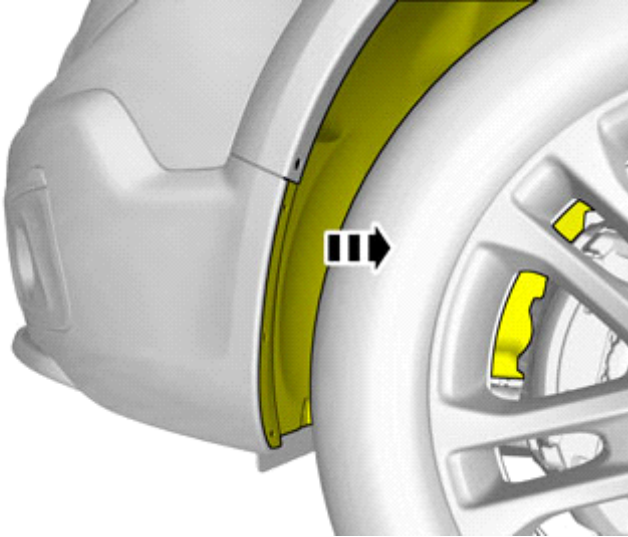


Installation instructions, accessories

Volvo Car Corporation Gothenburg, Sweden

Vehicles with headlamp washers

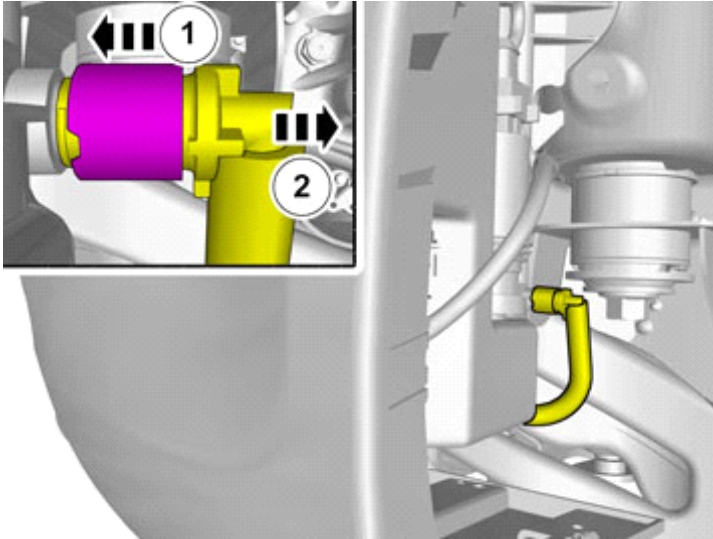
29



IMG-379975

Fold the wing liner to one side.

30



IMG-378537

Place a container under the car.

Take a piece of washer hose. Tie a knot in it and place it on the washer pump to prevent the washer fluid reservoir from emptying.

Release the lock.

Remove the hose.

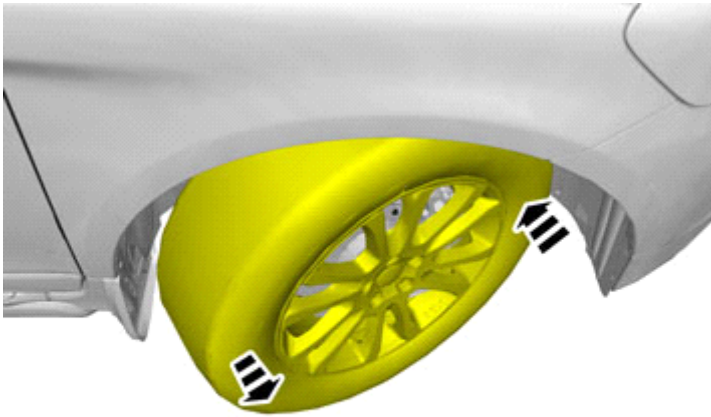
All vehicles



Installation instructions, accessories

Volvo Car Corporation Gothenburg, Sweden

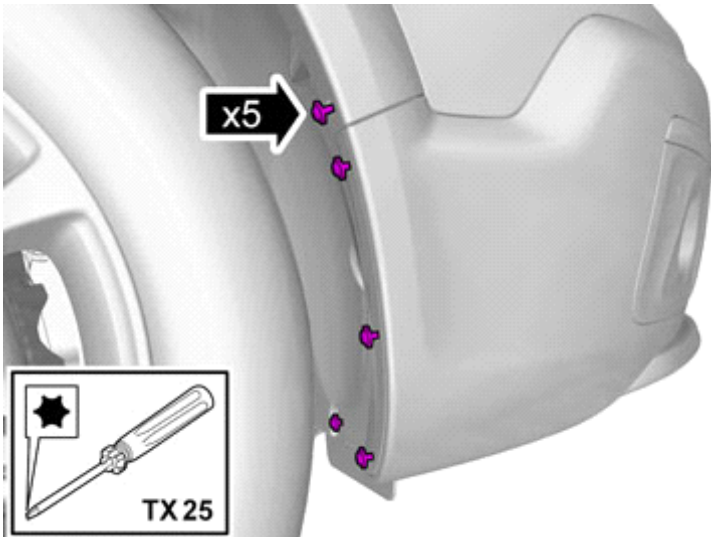
31



Turn the wheel inwards.

IMG-307627

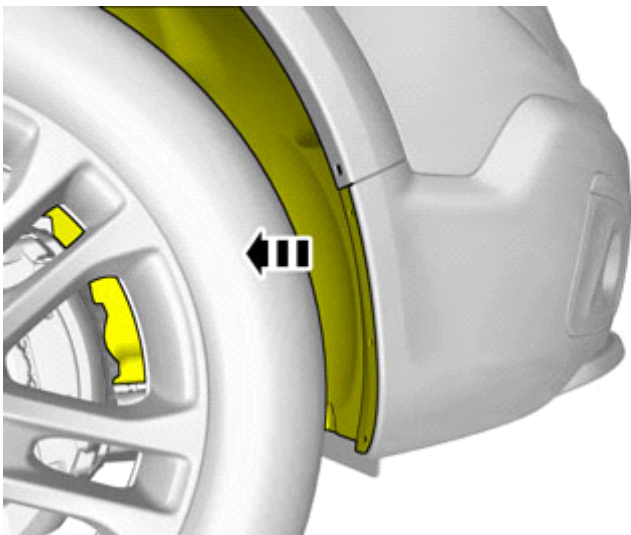
32



Remove the screws.

IMG-379974

33



Fold the wing liner to one side.

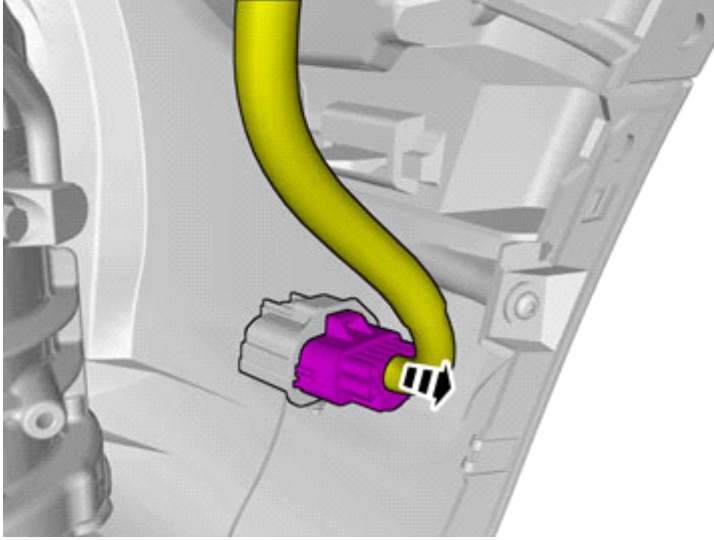
IMG-379976



Installation instructions, accessories

Volvo Car Corporation Gothenburg, Sweden

34



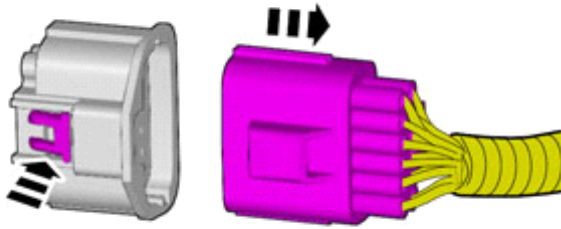
IMG-380014

Disconnect the connector, if applicable.

35

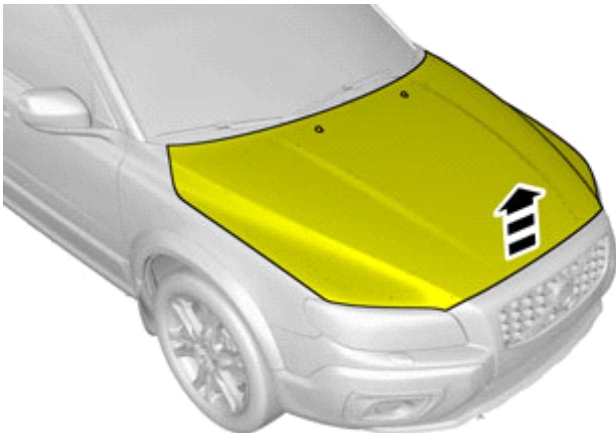
Release the connector's catch.

Disconnect the connector.



IMG-379376

36



Open the hood.

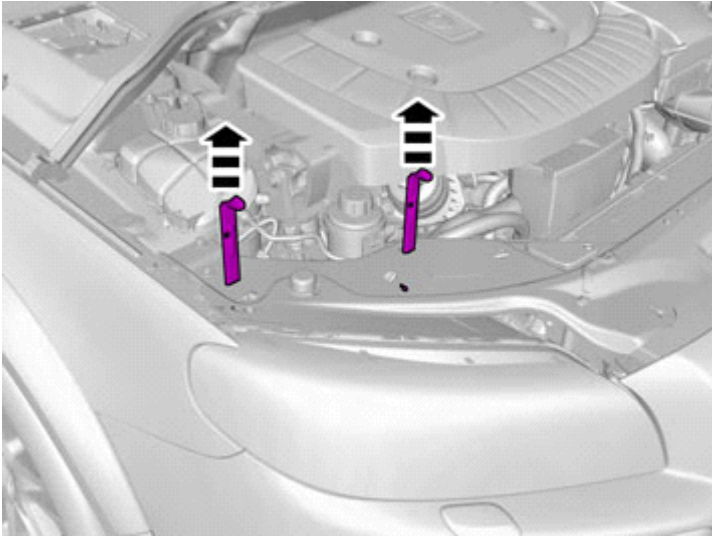
IMG-379977



Installation instructions, accessories

Volvo Car Corporation Gothenburg, Sweden

37



IMG-379978

RHD: The procedure is carried out on the opposite side.

38



IMG-379979

RHD: The procedure is carried out on the opposite side.

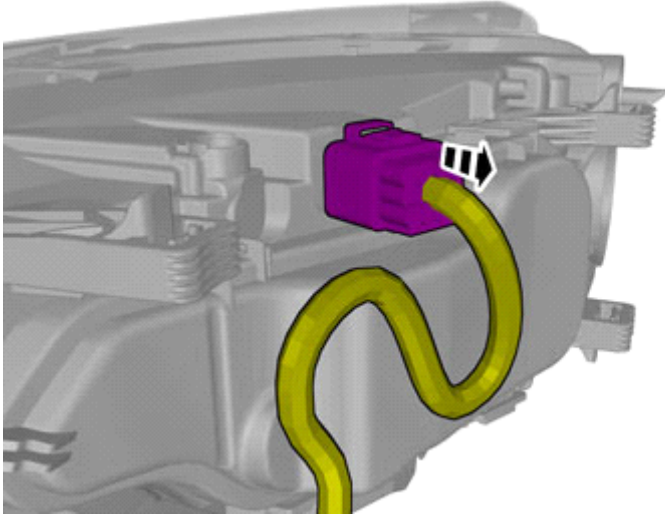


Installation instructions, accessories

Volvo Car Corporation Gothenburg, Sweden

39

Disconnect the connector.

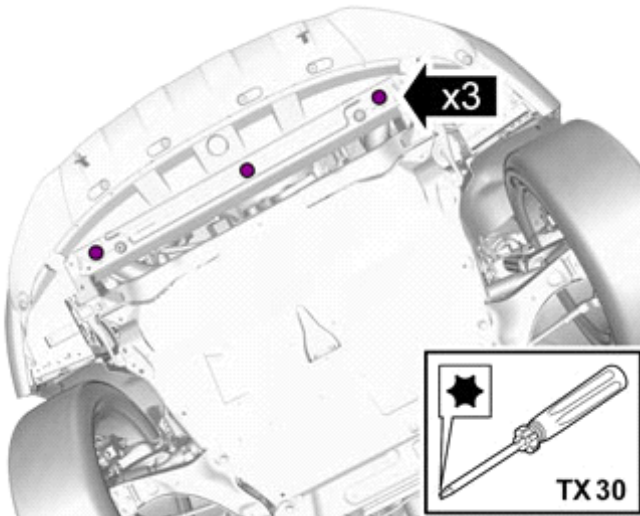


IMG-353381

40

Raise the car.

Remove the screws.

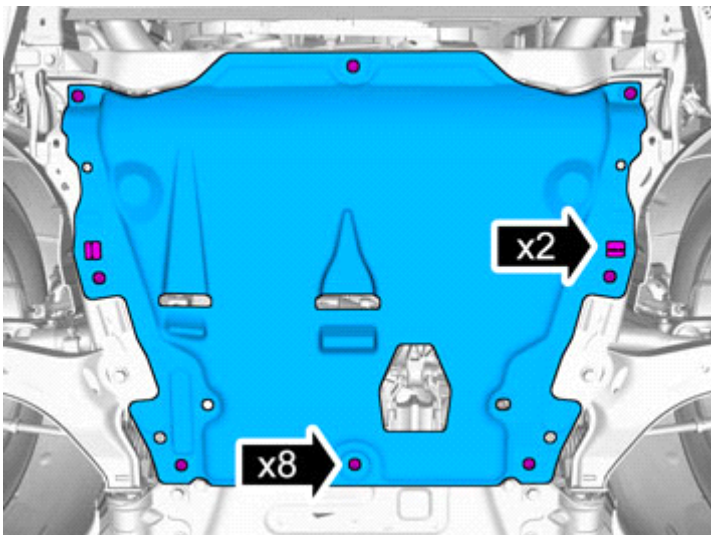


IMG-379980

41

Remove the clips.

Remove the screws.



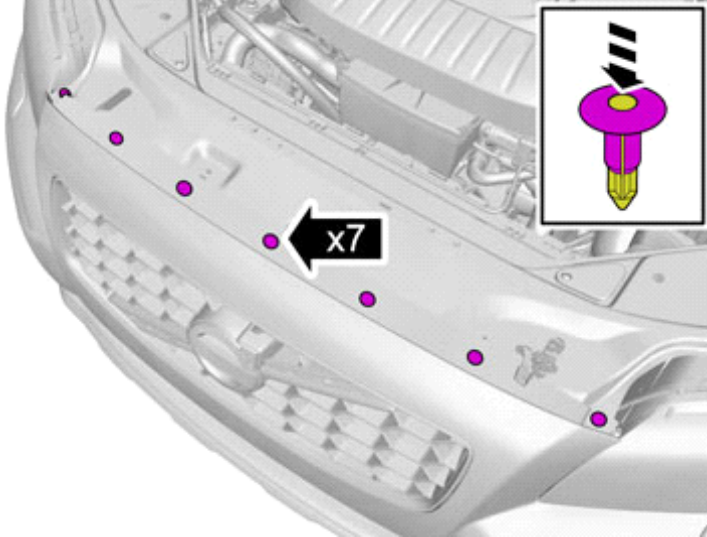
IMG-377609



Installation instructions, accessories

Volvo Car Corporation Gothenburg, Sweden

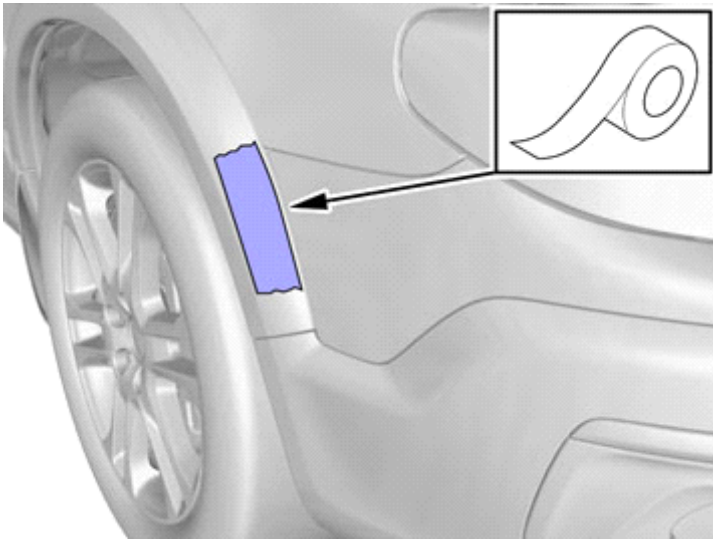
42



IMG-379983

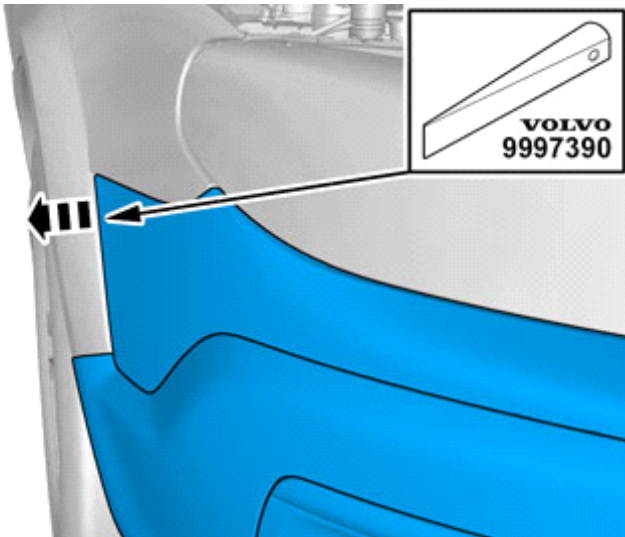
Remove the clips.

43



IMG-379986

44



IMG-379987

Caution!

Do not pull the outermost corner of the bumper cover. Risk of deformation.

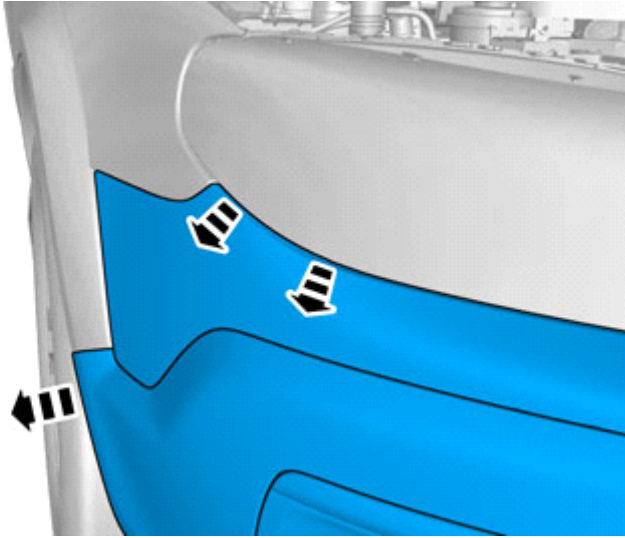
Repeat on the other side.



Installation instructions, accessories

Volvo Car Corporation Gothenburg, Sweden

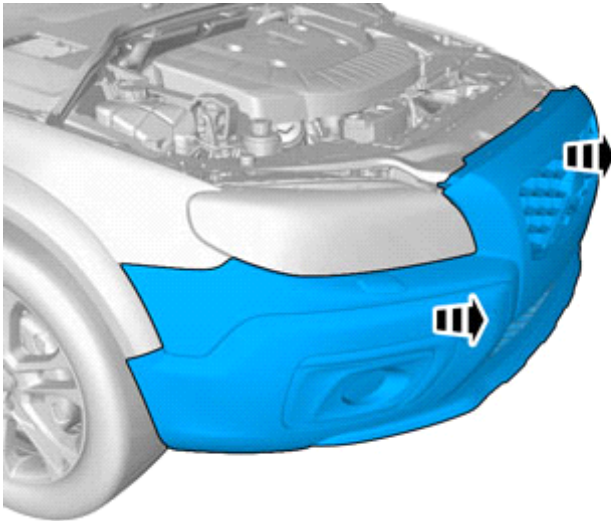
45



IMG-379988

Repeat on the other side.

46



IMG-379991

Caution!

Place the Bumper Cover on a suitable surface.

Request the aid of a colleague for this procedure.

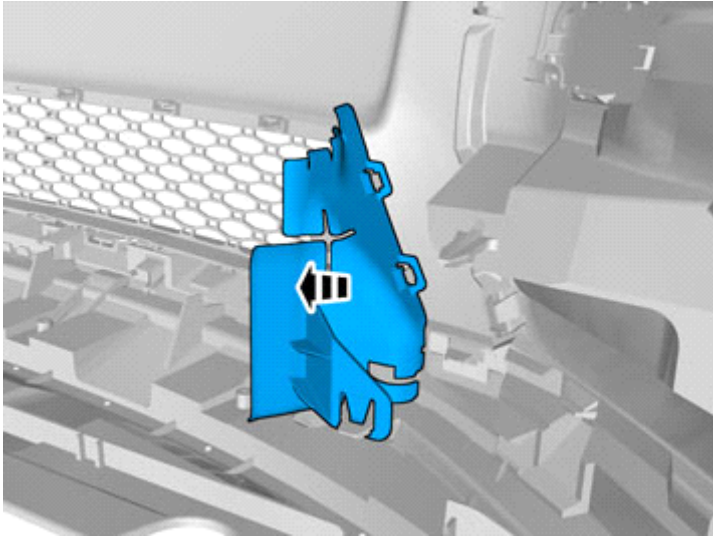
Disconnect the connector for the fog lamp.



Installation instructions, accessories

Volvo Car Corporation Gothenburg, Sweden

47

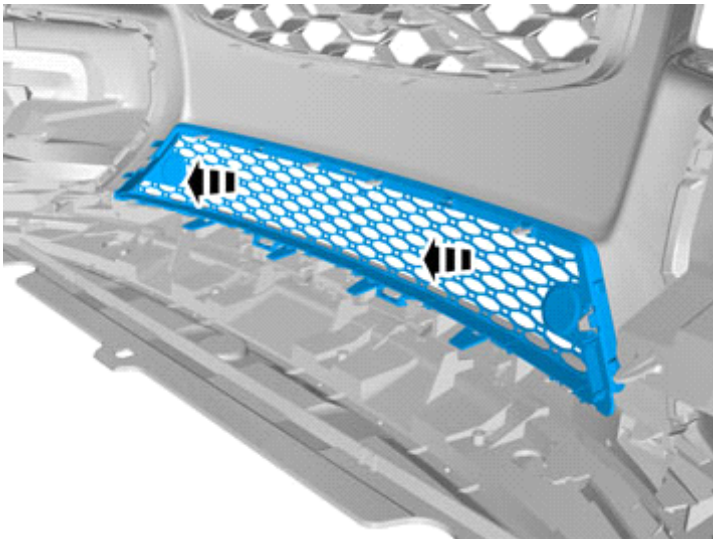


IMG-379992

Release the catches.

Repeat on the other side.

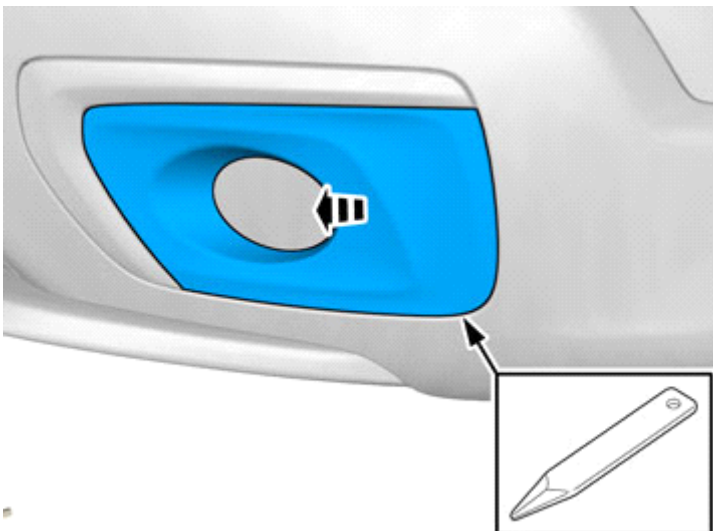
48



IMG-379993

The part is not to be reused.

49



IMG-379024

The part is not to be reused.

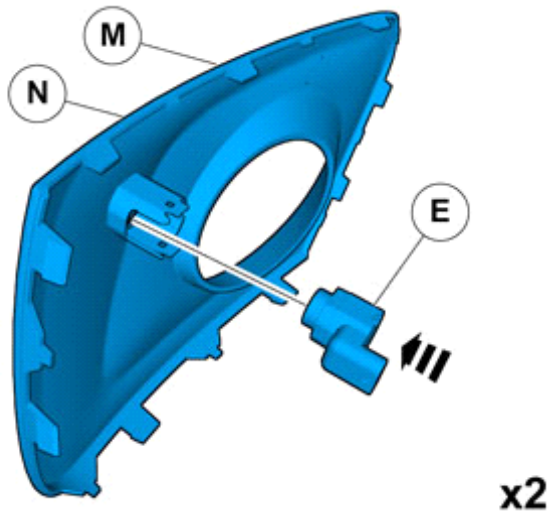


Installation instructions, accessories

Volvo Car Corporation Gothenburg, Sweden

Accessory installation

50



IMG-379025

51



Repeat on the other side.

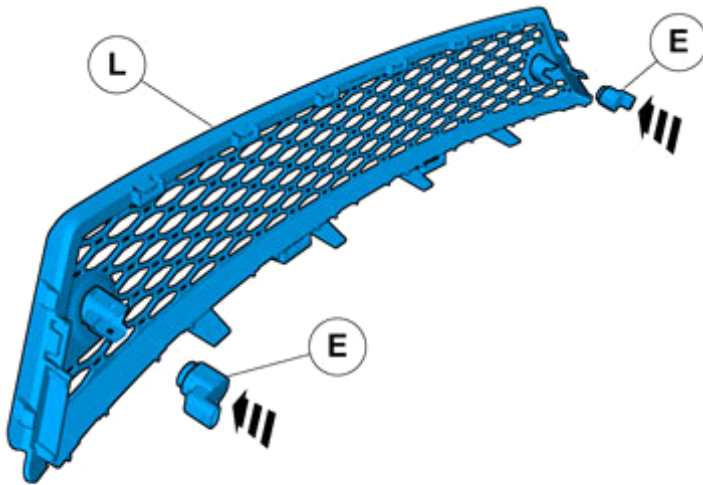
IMG-379997



Installation instructions, accessories

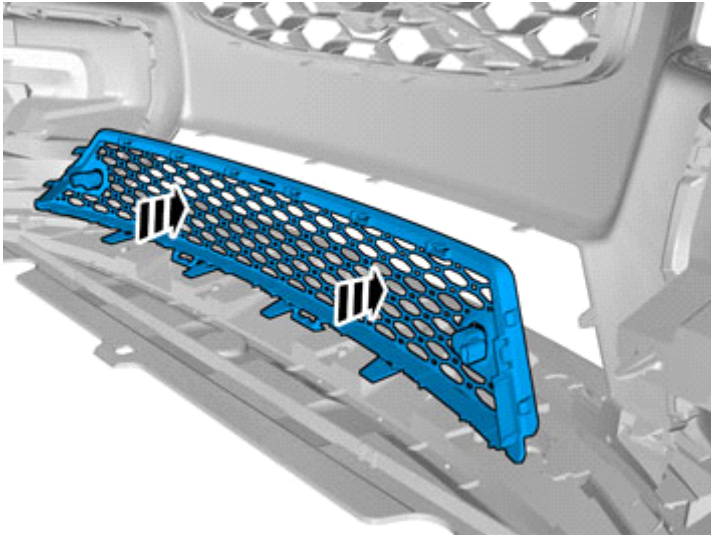
Volvo Car Corporation Gothenburg, Sweden

52



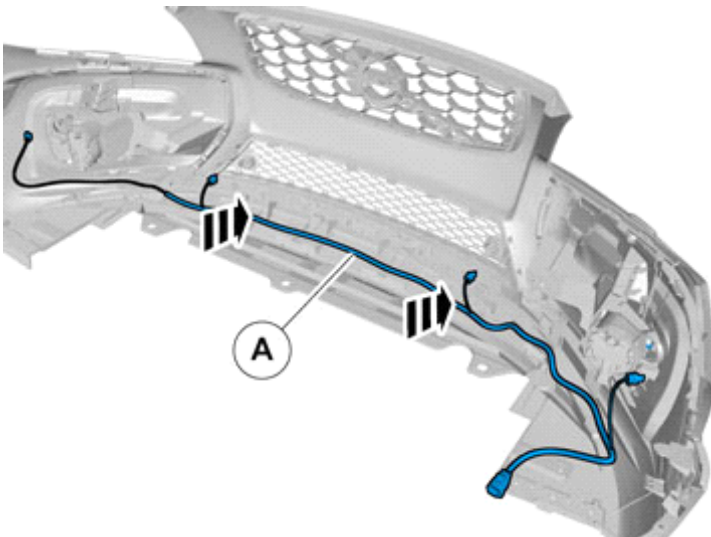
IMG-379994

53



IMG-379996

54



IMG-379999

Put the wiring in the Bumper cover without installing the wiring.

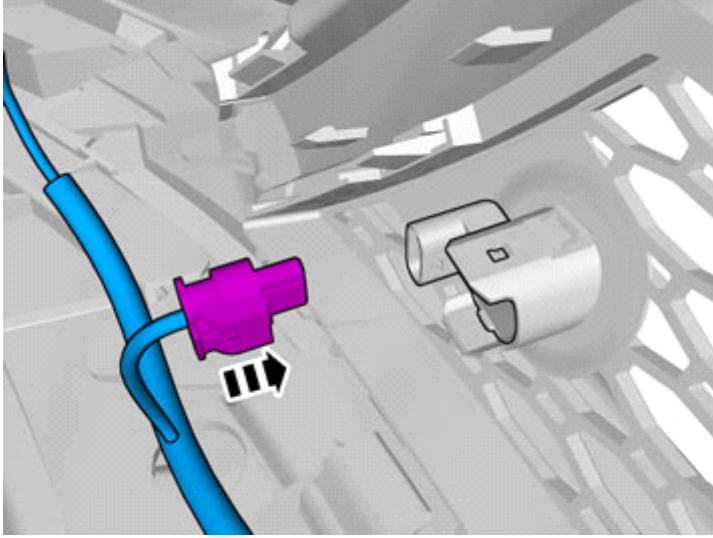
RHD: The cable harness is positioned mirrored.



Installation instructions, accessories

Volvo Car Corporation Gothenburg, Sweden

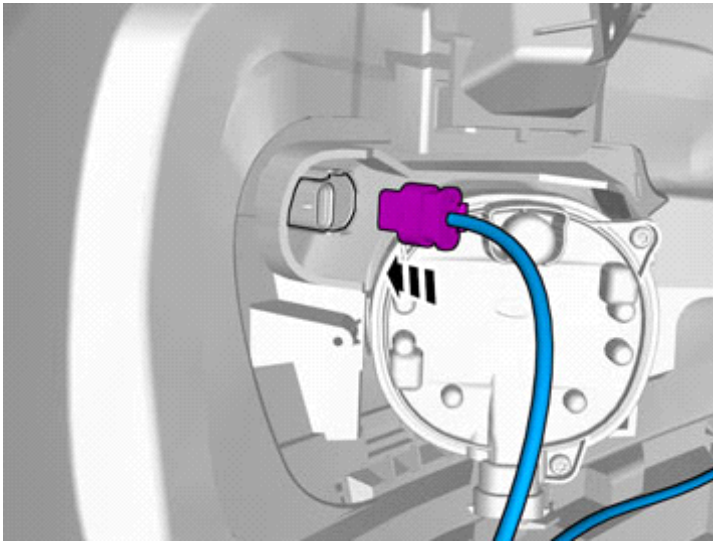
55



IMG-380016

Repeat on the other side.

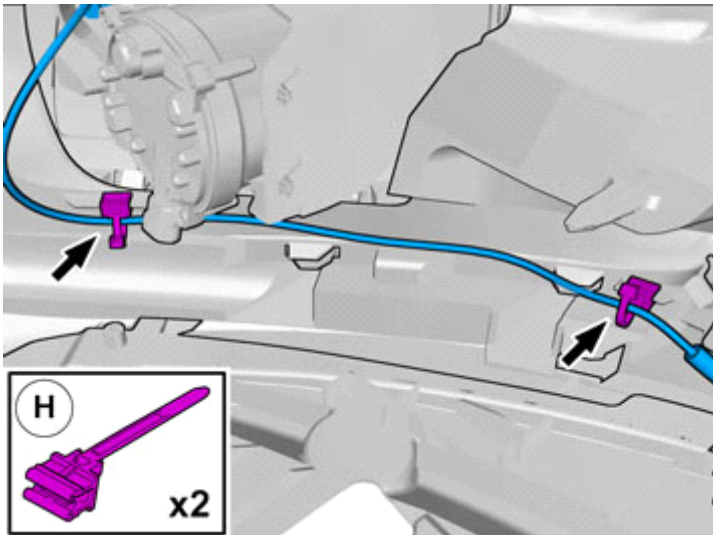
56



IMG-380017

Repeat on the other side.

57



IMG-380018

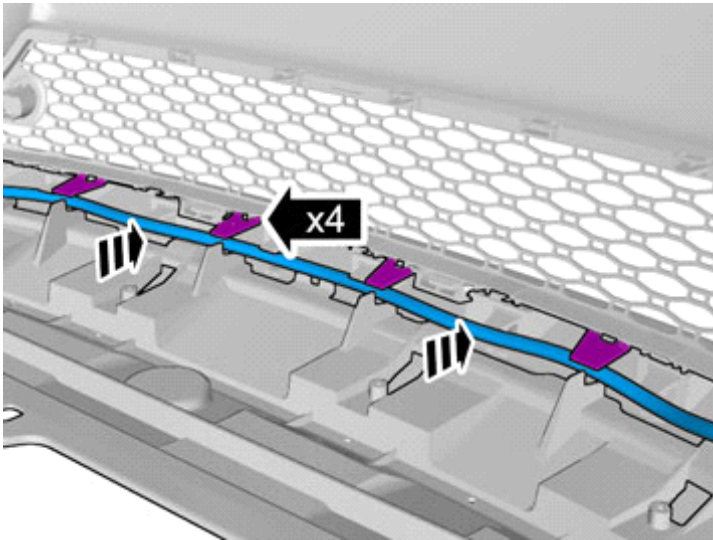
Repeat on the other side.



Installation instructions, accessories

Volvo Car Corporation Gothenburg, Sweden

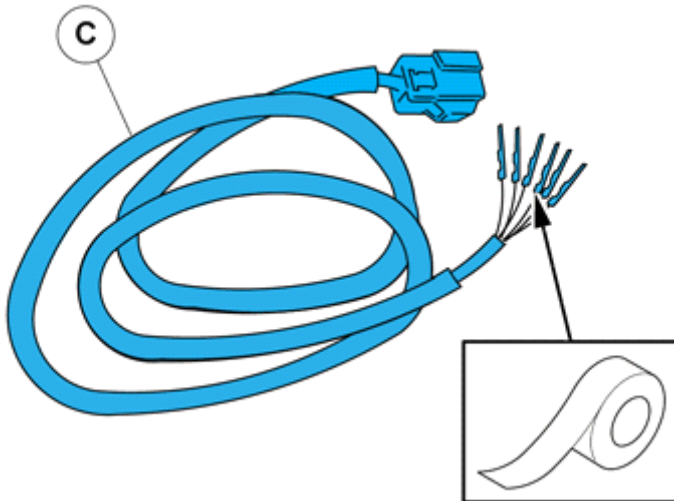
58



IMG-380010

59

Use: , Electrical tape



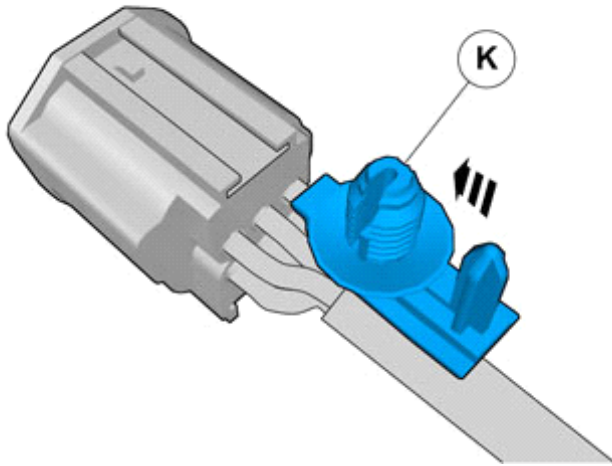
IMG-378325



Installation instructions, accessories

Volvo Car Corporation Gothenburg, Sweden

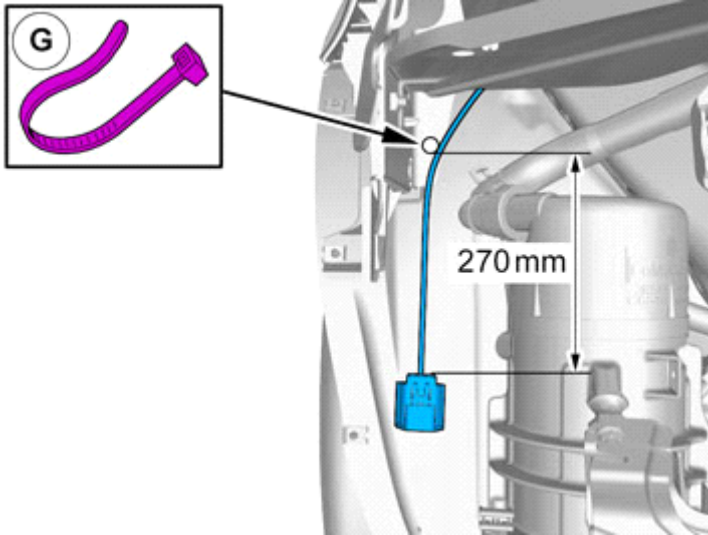
60



IMG-379484

Left hand drive vehicles

61



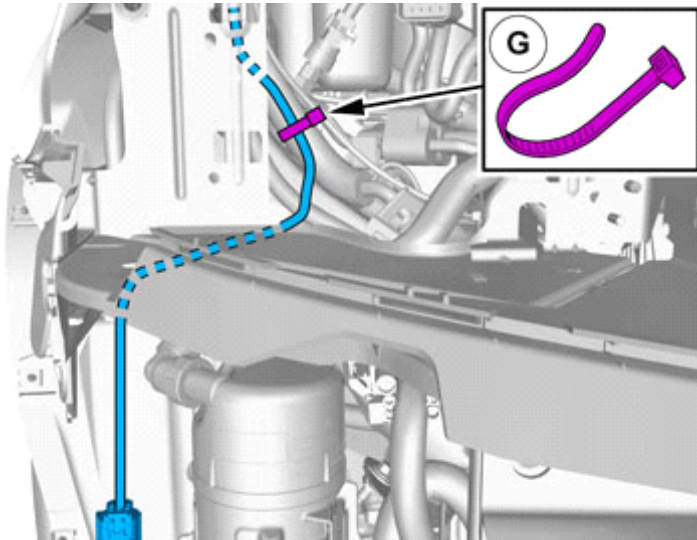
IMG-379467



Installation instructions, accessories

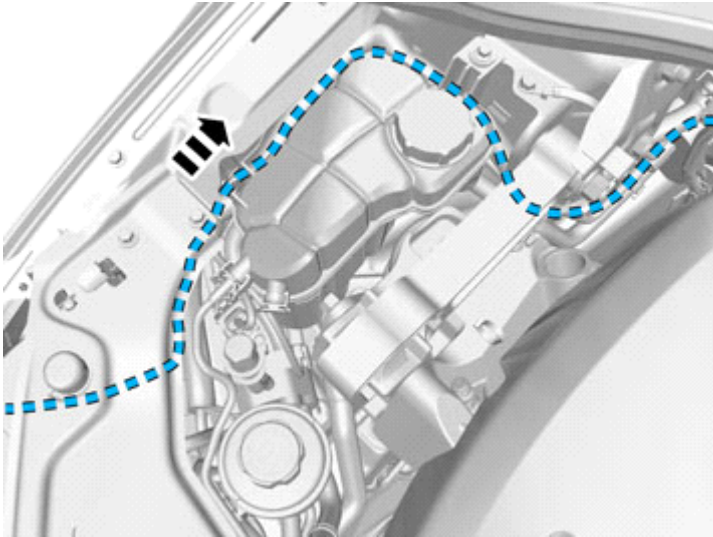
Volvo Car Corporation Gothenburg, Sweden

62



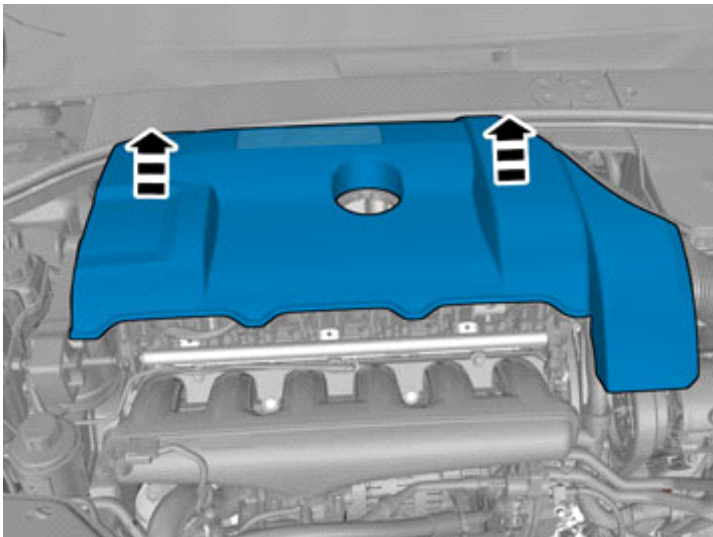
IMG-379477

63



IMG-379479

64



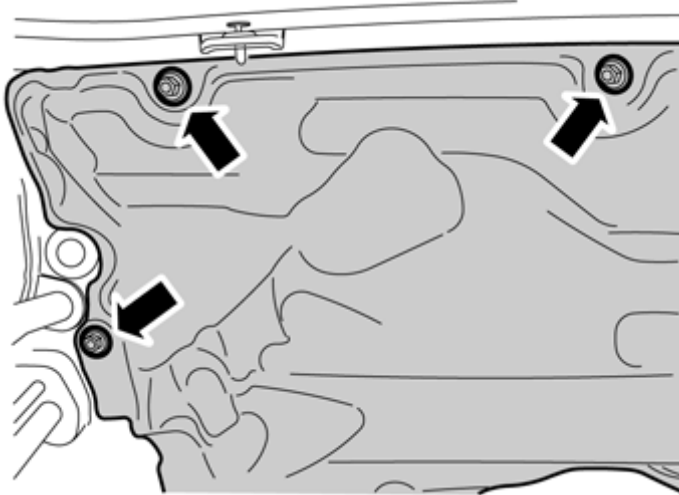
IMG-273585



Installation instructions, accessories

Volvo Car Corporation Gothenburg, Sweden

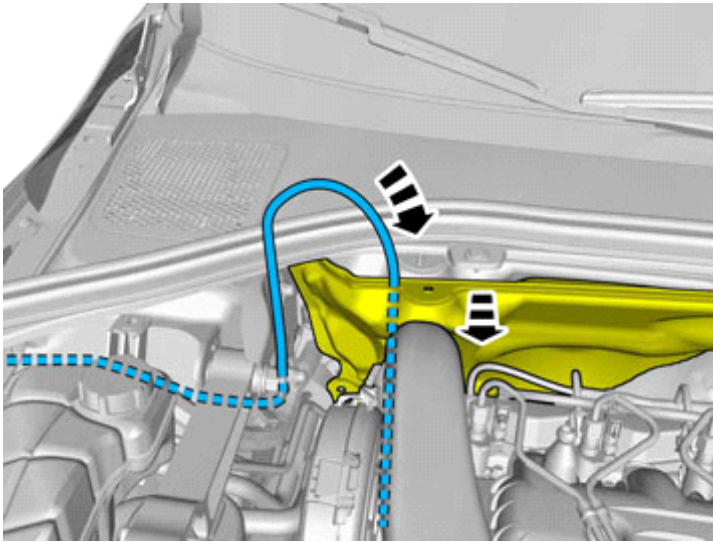
65



IMG-273586

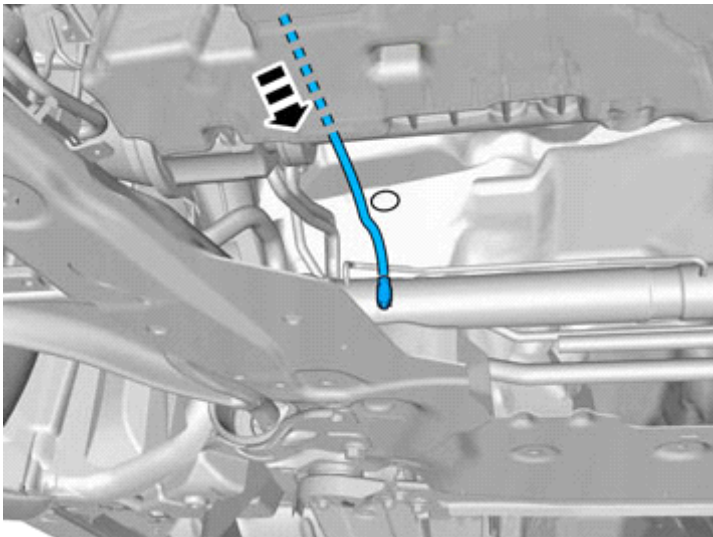
Remove the nuts.

66



IMG-378517

67



IMG-378516

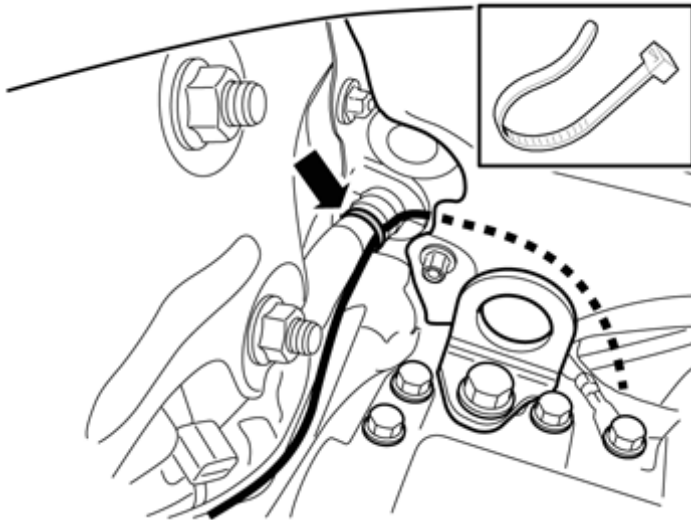
Pull the wiring through.



Installation instructions, accessories

Volvo Car Corporation Gothenburg, Sweden

68

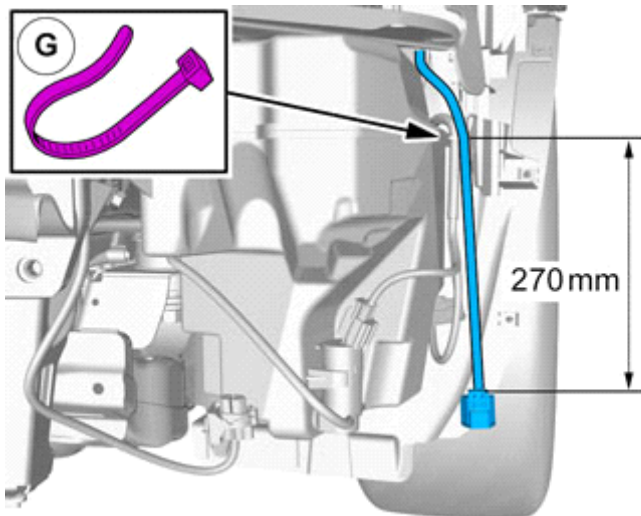


IMG-273588

Install the cable.

Right-hand drive vehicles

69



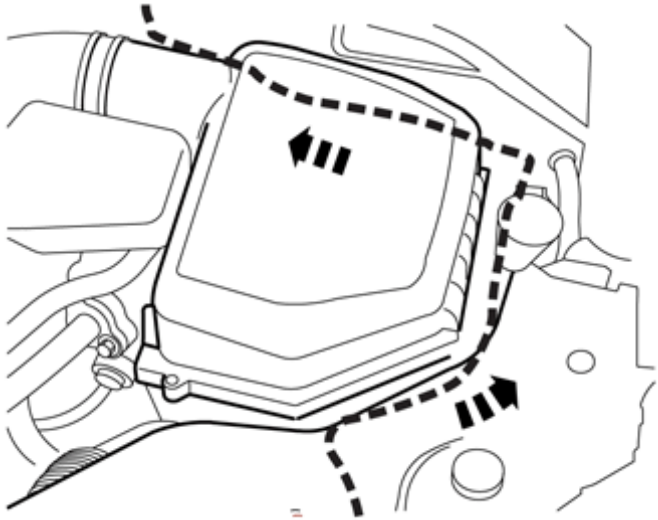
IMG-379480



Installation instructions, accessories

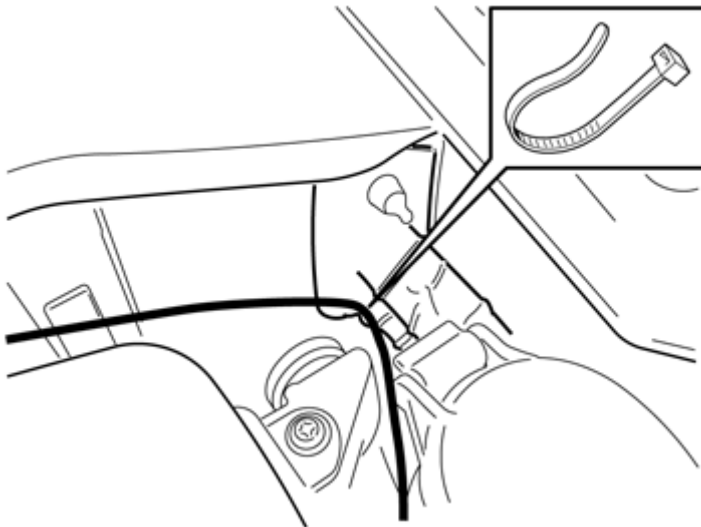
Volvo Car Corporation Gothenburg, Sweden

70



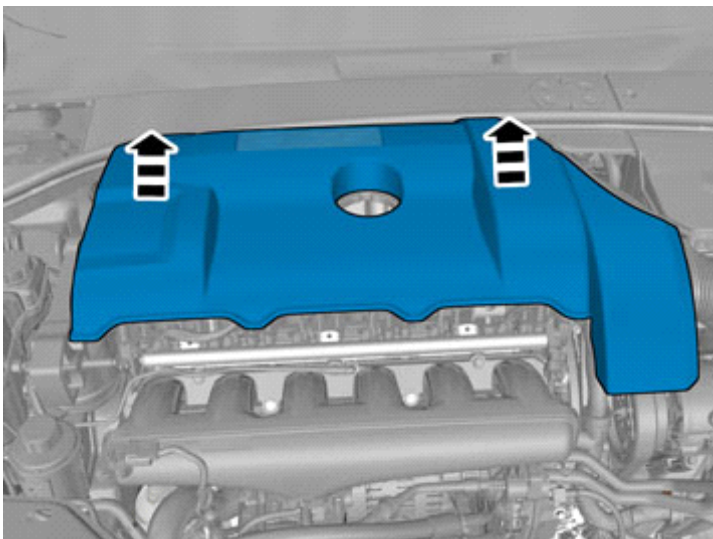
IMG-307910

71



IMG-307911

72



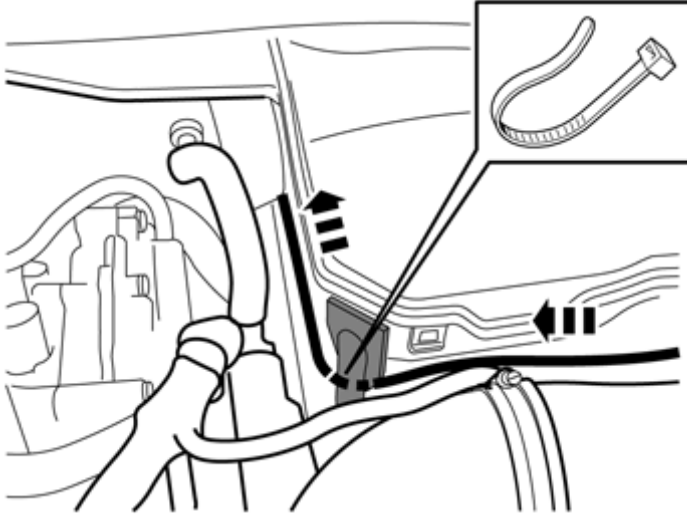
IMG-273585



Installation instructions, accessories

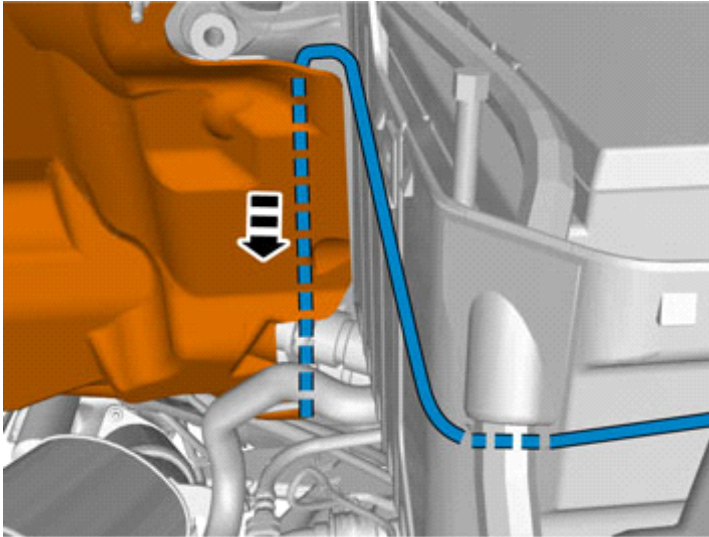
Volvo Car Corporation Gothenburg, Sweden

73



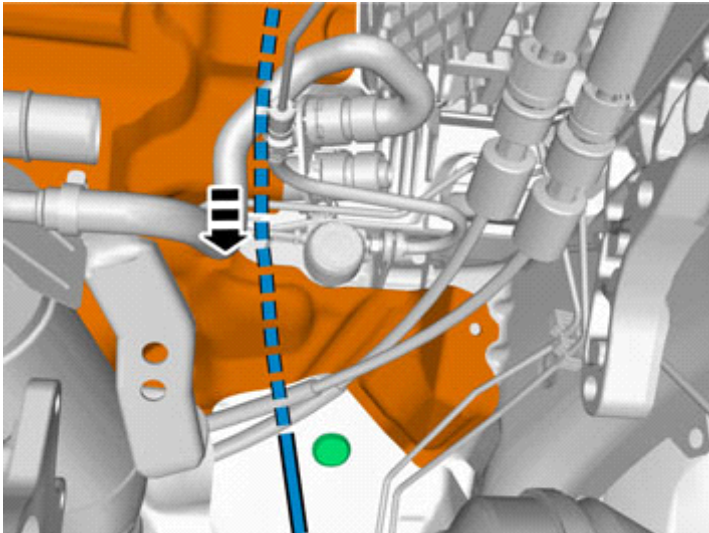
IMG-307912

74



IMG-307913

75



IMG-307914

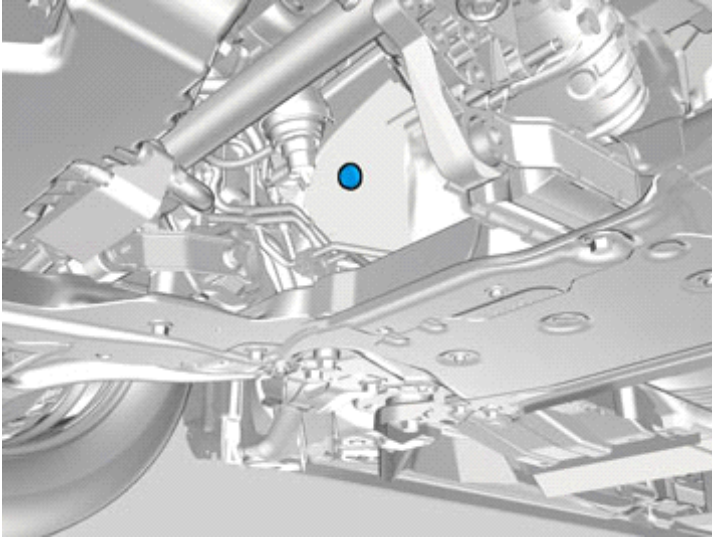


Installation instructions, accessories

Volvo Car Corporation Gothenburg, Sweden

All vehicles

76



IMG-345879

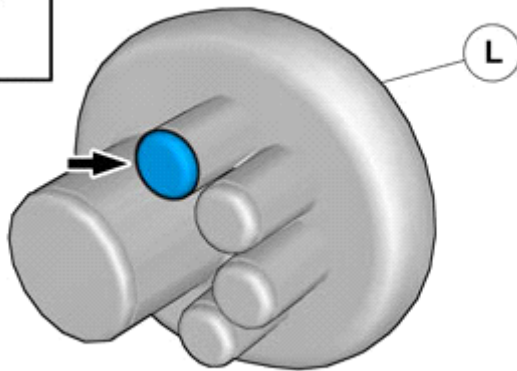
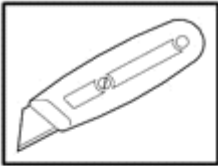
Note!

Orientation view

Note!

On some markets the rubber grommet may be covered by the heat shield.

77



IMG-377670

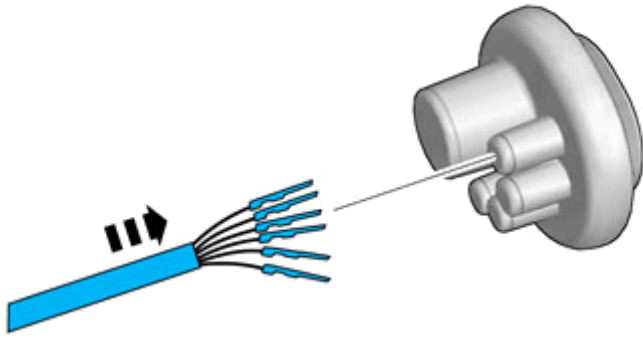


Installation instructions, accessories

Volvo Car Corporation Gothenburg, Sweden

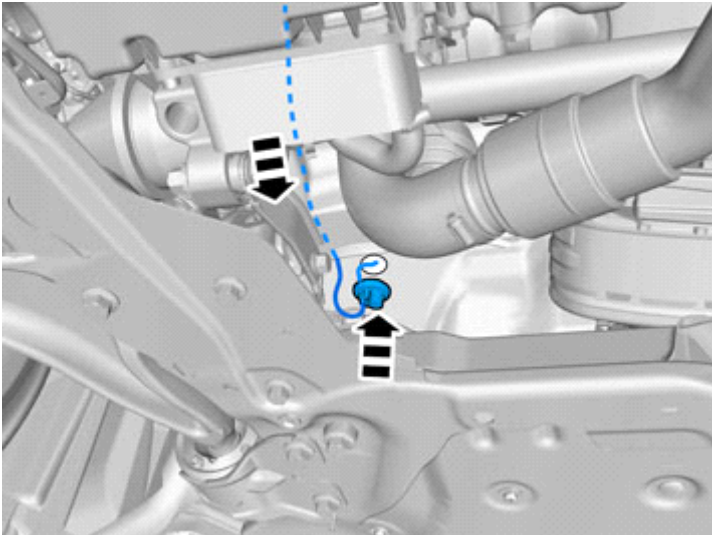
78

Pull the wiring through.



IMG-377675

79



IMG-340544

Insert the cable in to the passenger compartment, adjust the cable length out into the engine compartment and secure the rubber grommet.

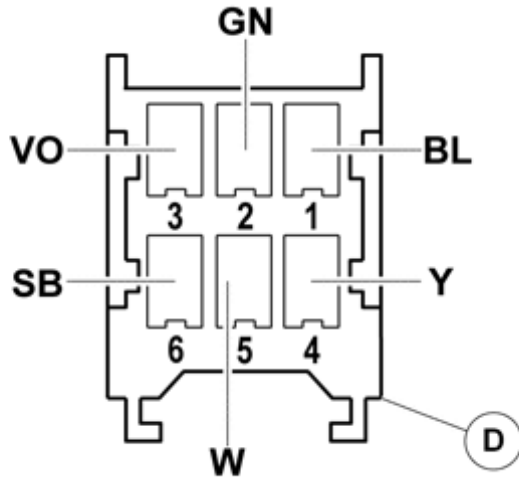
Left hand drive vehicles



Installation instructions, accessories

Volvo Car Corporation Gothenburg, Sweden

80



IMG-377671

Remove the tape.

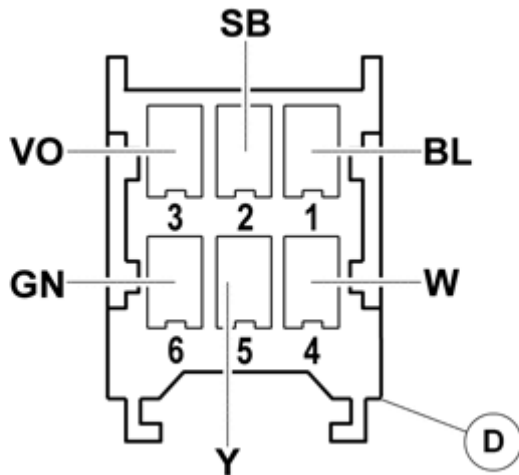
Release the connector's secondary lock.

Connect the pre-routed cables to the 6-pin connector.

Depress the secondary lock.

Right-hand drive vehicles

81



IMG-377672

Remove the tape.

Release the connector's secondary lock.

Connect the pre-routed cables to the 6-pin connector.

Depress the secondary lock.

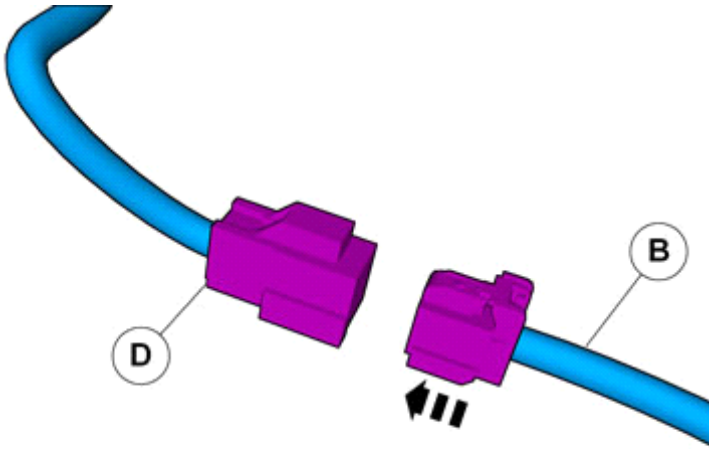
All vehicles



Installation instructions, accessories

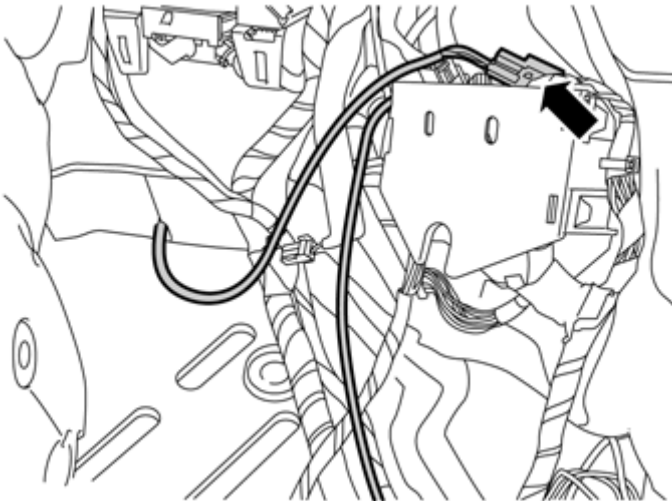
Volvo Car Corporation Gothenburg, Sweden

82



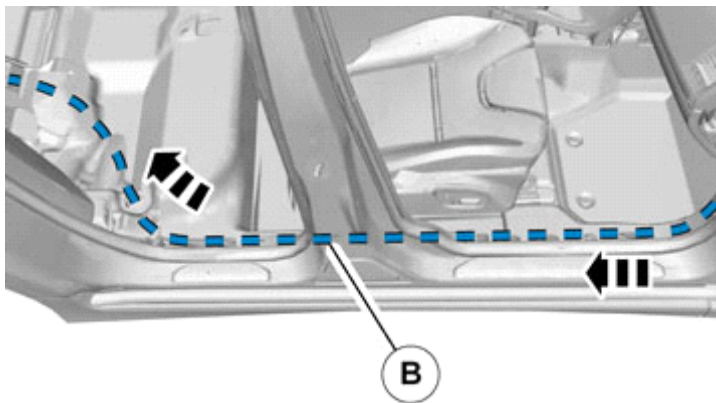
IMG-377673

83



IMG-249181

84



IMG-377674

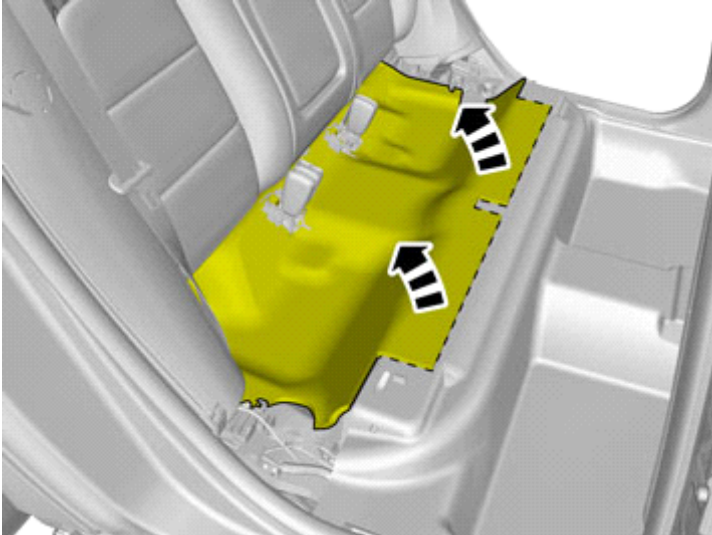


Installation instructions, accessories

Volvo Car Corporation Gothenburg, Sweden

Right-hand drive vehicles

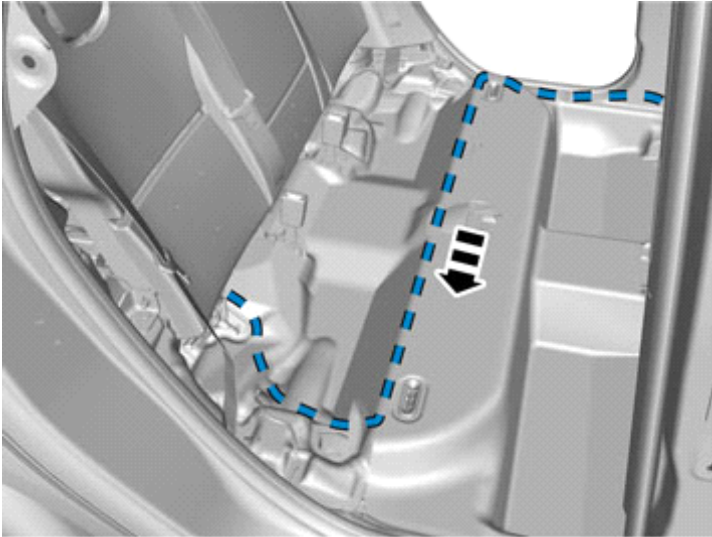
85



IMG-358746

Fold the insulation to one side.

86



IMG-308083

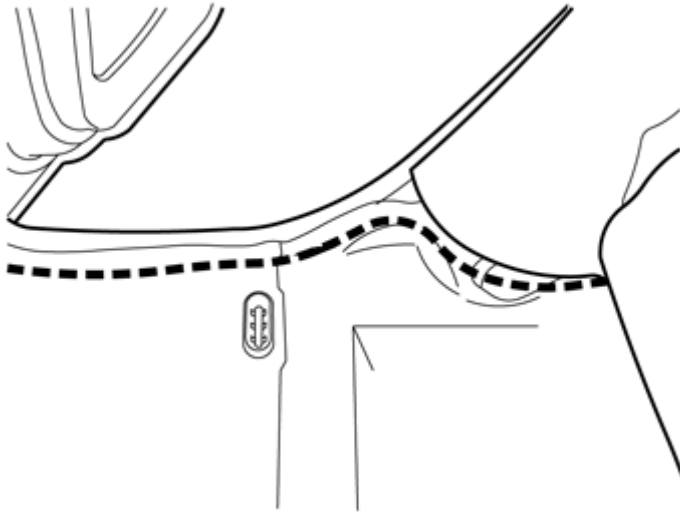
All vehicles



Installation instructions, accessories

Volvo Car Corporation Gothenburg, Sweden

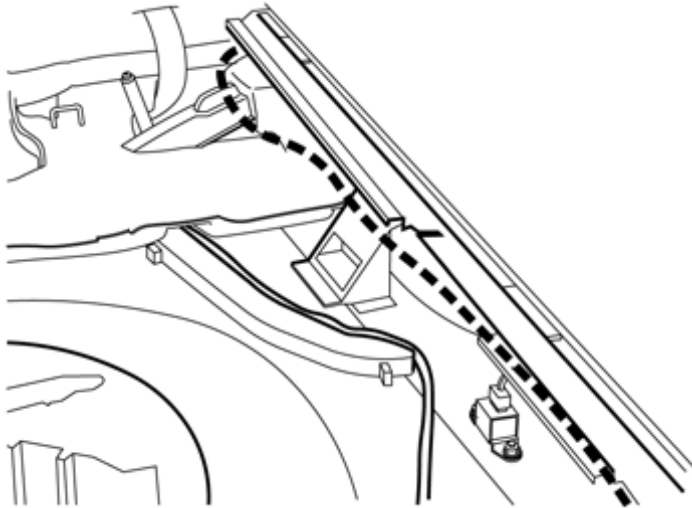
87



Pull the wiring through.

IMG-273591

88



Pull the wiring through.

IMG-273592

89



Note!
Orientation view

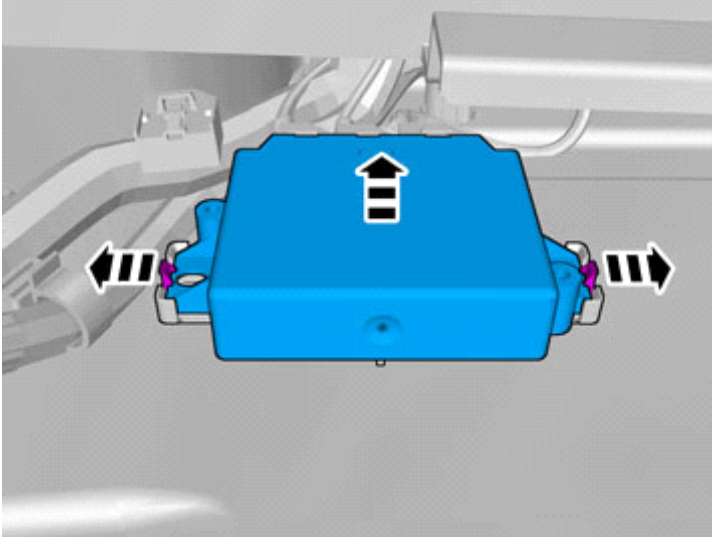
IMG-378483



Installation instructions, accessories

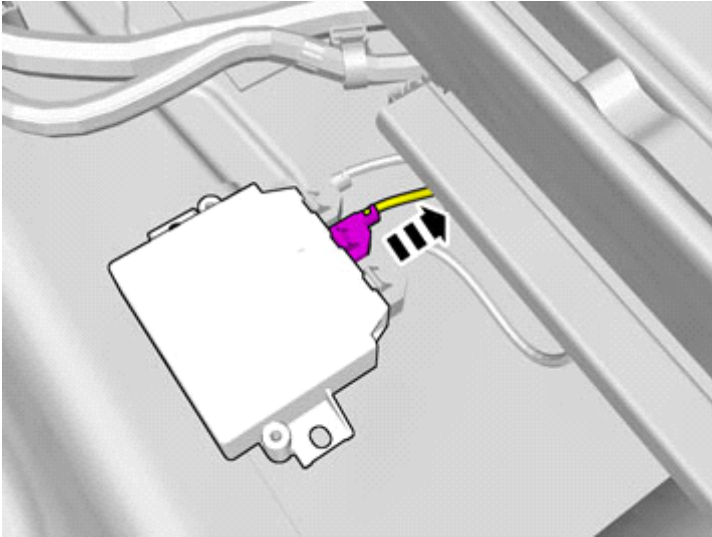
Volvo Car Corporation Gothenburg, Sweden

90



IMG-378481

91



IMG-378475

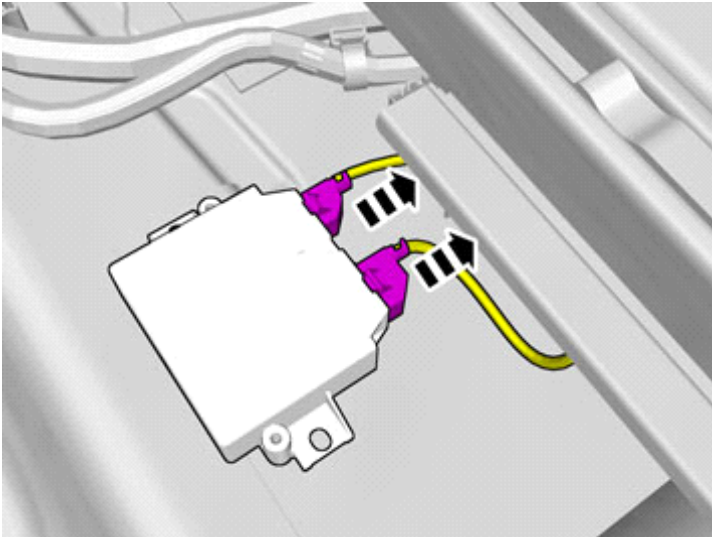
Disconnect the connector, if applicable.

Attach the connector to the wiring harness.

Use: , Electrical tape

The connector is not to be used.

92



IMG-378477

Disconnect the connectors.

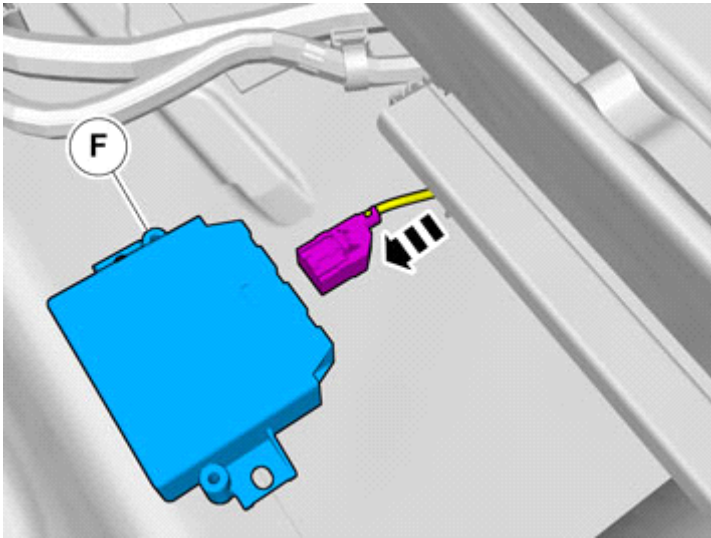
The part is not to be reused.



Installation instructions, accessories

Volvo Car Corporation Gothenburg, Sweden

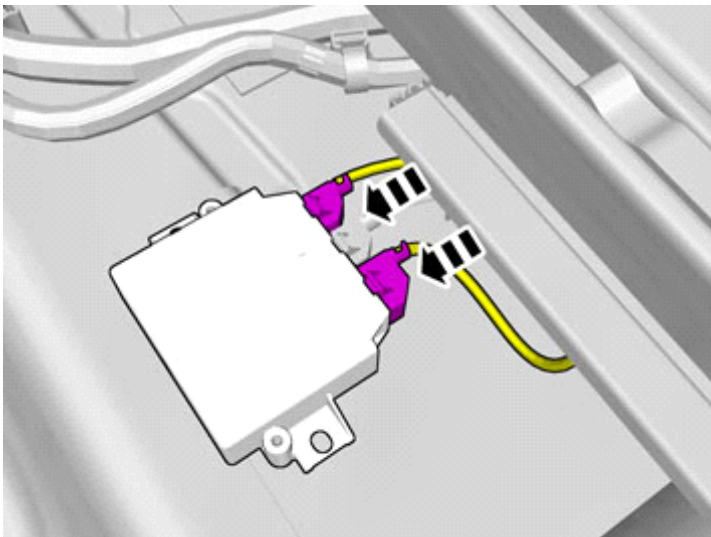
93



IMG-378479

Install component that comes with the accessory kit.

94



IMG-378480

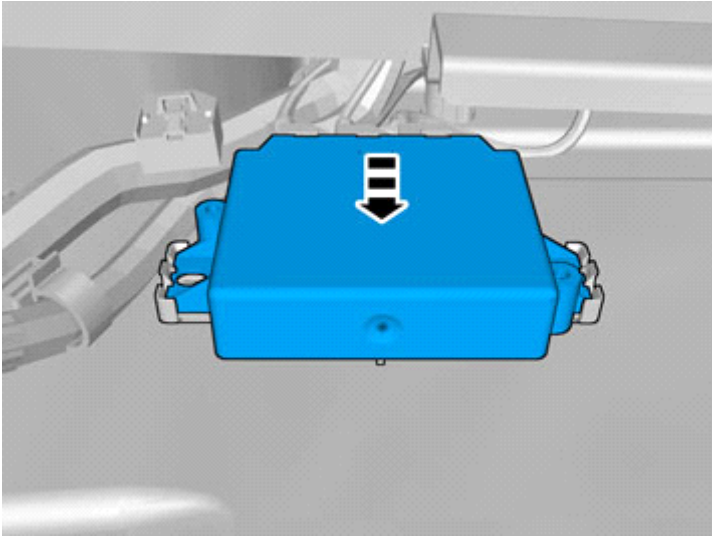
Connect the connectors.



Installation instructions, accessories

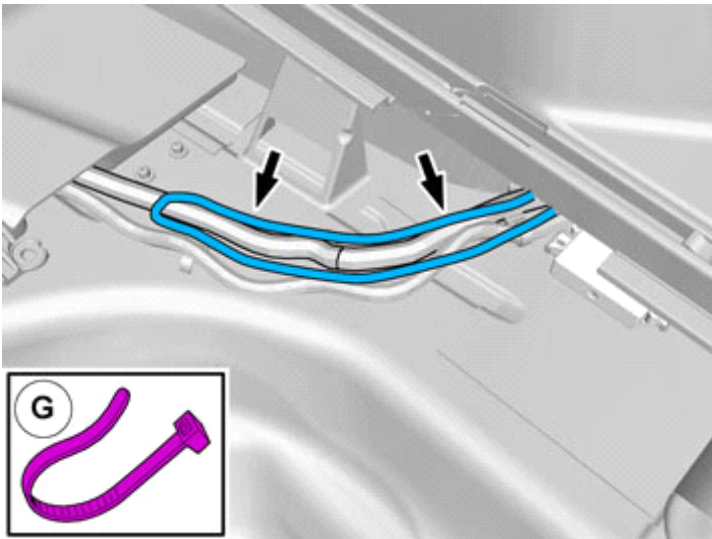
Volvo Car Corporation Gothenburg, Sweden

95



IMG-378482

96



IMG-378485

Attach any excess wire to the wiring harness.

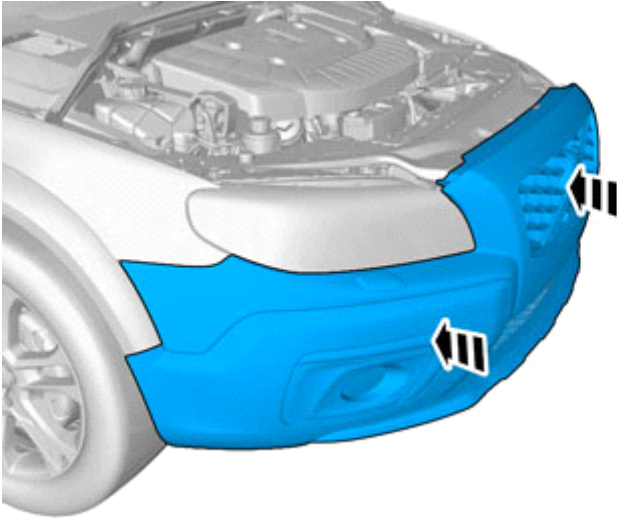
Installation



Installation instructions, accessories

Volvo Car Corporation Gothenburg, Sweden

97

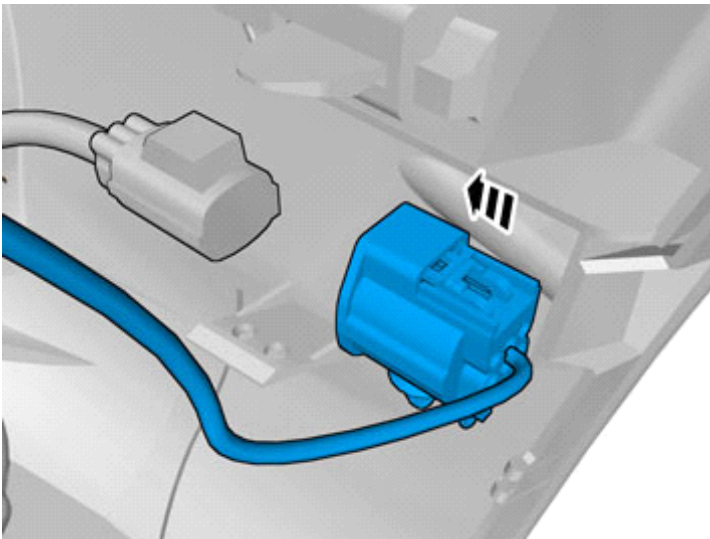


IMG-380142

Place the Bumper Cover in position for installation.

Connect the connectors.

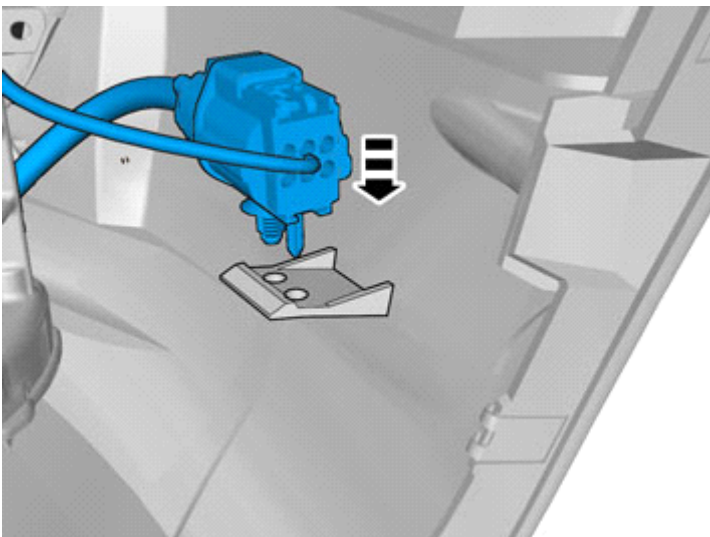
98



IMG-380023

Connect the connector.

99



IMG-380024



Installation instructions, accessories

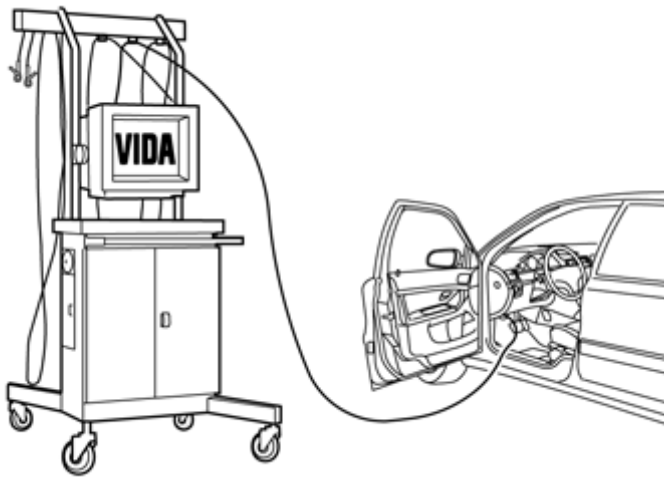
Volvo Car Corporation Gothenburg, Sweden

100

Reinstall the removed parts in reverse order.

IMG-377070

101



IMG-242268

Download software (application) for the accessory's function according to the service information in VIDA.

Order and download software according to: 30765568